

PARTS LIST

**WESTERBEKE 41G • 70G
Marine Gasoline Engines**

**WESTERBEKE
TWG 6.5 • 8 • 11 KW
Marine Gasoline Generators**

Publication # 34630
Edition Two
September 1986



Gasoline with an ETHANOL content higher than 10% (E10) is **not allowed and may void warranty.**



WESTERBEKE™
Engines & Generators

PARTS LIST

**WESTERBEKE 41G • 70G
Marine Gasoline Engines**

**WESTERBEKE
TWG 6.5 • 8 • 11 KW
Marine Gasoline Generators**

Publication # 34630

Edition Two

September 1986



IMPORTANT

PRODUCT SOFTWARE NOTICE

Product software of all kinds, such as brochures, drawings, technical data, operator's and workshop manuals, parts lists and parts price lists, and other information, instructions and specifications provided from sources other than Westerbeke, is not within Westerbeke's control and, accordingly, is provided to Westerbeke customers only as a courtesy and service. WESTERBEKE CANNOT BE RESPONSIBLE FOR THE CONTENT OF SUCH SOFTWARE, MAKES NO WARRANTIES OR REPRESENTATIONS WITH RESPECT THERETO, INCLUDING THE ACCURACY, TIMELINESS OR COMPLETENESS THEREOF, AND WILL IN NO EVENT BE LIABLE FOR ANY TYPE OF DAMAGES OR INJURY INCURRED IN CONNECTION WITH, OR ARISING OUT OF, THE FURNISHING OR USE OF SUCH SOFTWARE.

For example, components and sub-assemblies incorporated in Westerbeke's products and supplied by others (such as engine blocks, fuel systems and components, transmissions, electrical components, pumps and other products) are generally supported by their manufacturers with their own software, and Westerbeke must depend on such software for the design of Westerbeke's own product software. Such software may be outdated and no longer accurate. Routine changes made by Westerbeke's suppliers, of which Westerbeke rarely has notice in advance, are frequently not reflected in the supplier's software until after such changes take place.

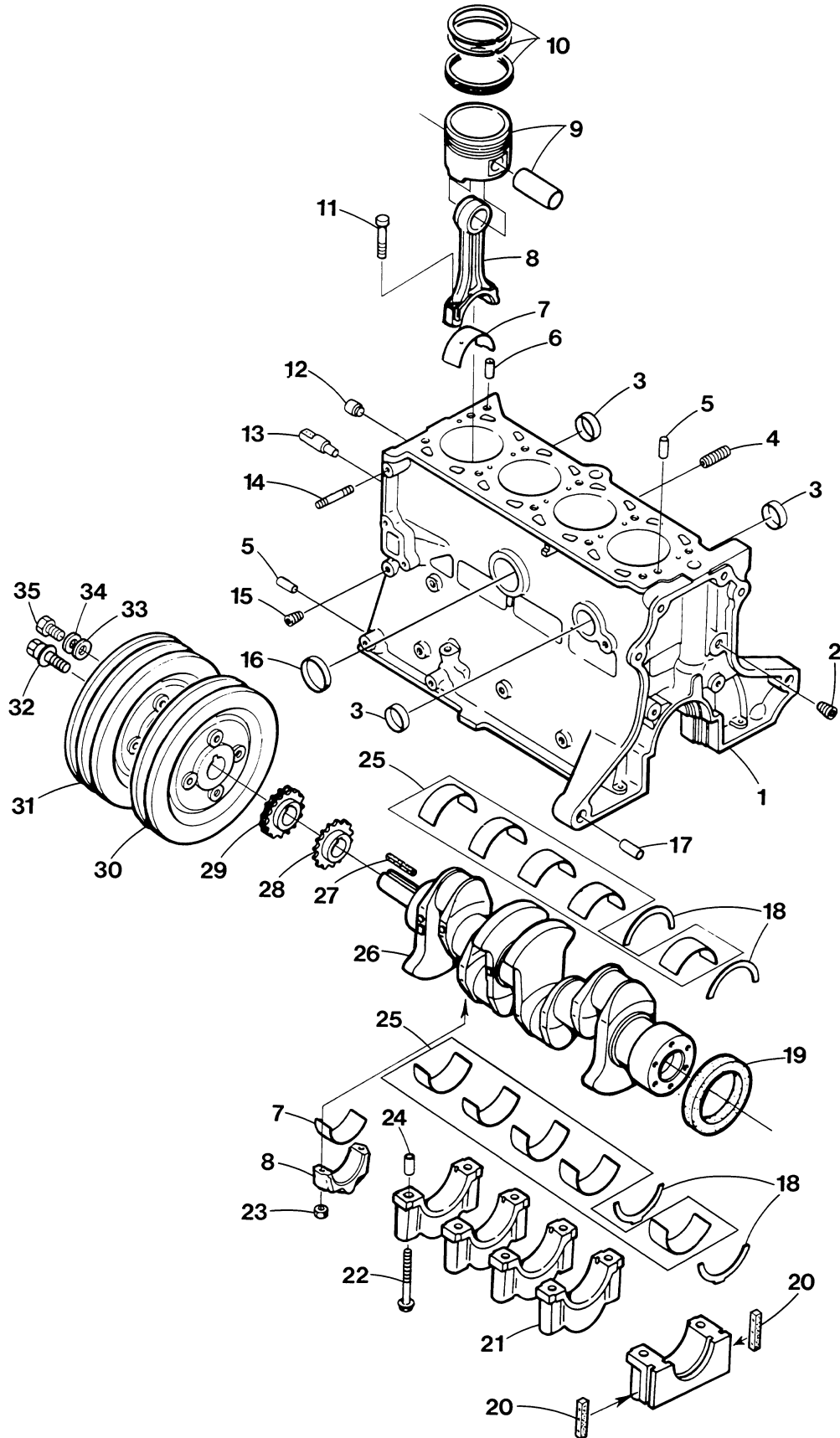
Westerbeke customers should also keep in mind the time span between printings of Westerbeke product software, and the unavoidable existence of earlier, non-current Westerbeke software editions in the field. Additionally, most Westerbeke products include customer-requested special features that frequently do not include complete documentation.

In sum, product software provided with Westerbeke products, whether from Westerbeke or other suppliers, must not and cannot be relied upon exclusively as the definitive authority on the respective product. It not only makes good sense, but is imperative that appropriate representatives of Westerbeke or the supplier in question be consulted to determine the accuracy and currency of the product software being consulted by the customer.

TABLE OF CONTENTS

200	WESTERBEKE	4	CYLINDER GASOLINE ENGINE-CYLINDER BLOCK-CRANKSHAFT
204	WESTERBEKE	4	CYLINDER GASOLINE ENGINE-CYLINDER HEAD
206	WESTERBEKE	4	CYLINDER GASOLINE ENGINE-CAMSHAFT-ROCKER SHAFT
208	WESTERBEKE	4	CYLINDER GASOLINE ENGINE-SUMP-OIL PUMP-TIMING COVER
210	WESTERBEKE	4	CYLINDER GASOLINE ENGINE-COOLING SYSTEM
216	WESTERBEKE	4	CYLINDER GASOLINE ENGINE-SEA WATER PUMP
218	WESTERBEKE	4	CYLINDER GASOLINE ENGINE-FUEL SYSTEM-INTAKE MANIFOLD
220	WESTERBEKE	TWG-6.5-8-11KW	GENERATOR-BELTS-ALTERNATOR-GOVERNOR
222	WESTERBEKE	41G-70G	GASOLINE ENGINE-BELTS-ALTERNATOR
224	WESTERBEKE	4	CYLINDER GASOLINE ENGINE-DISTRIBUTOR-COIL-SPARKPLUG
226	WESTERBEKE	TWG-6.5-8-11KW	GASOLINE GENERATOR-ENGINE WIRING HARNESS
228	WESTERBEKE	41G-70G	MARINE GASOLINE ENGINE-WIRING HARNESS
230	WESTERBEKE	TWG-6.5-8-11KW	GASOLINE GENERATOR-MOUNTING SYSTEM
232	WESTERBEKE	TWG-6.5-8-11KW	GASOLINE GENERATOR-BACK END-GENERATOR
238	WESTERBEKE	41G-70G	MARINE GASOLINE ENGINE-BACK END-MOUNTING SYSTEM
242	WESTERBEKE	41G-70G	MARINE GASOLINE ENGINE-WARNER TRANSMISSION
244	WESTERBEKE	TWG-6.5-8-11KW	GASOLINE GENERATOR-CONTROL PANEL
246	WESTERBEKE	TWG-6.5-8-11KW	GASOLINE GENERATOR-REMOTE CONTROL PANELS
248	WESTERBEKE	41G-70G	MARINE GASOLINE ENGINE-INSTRUMENT PANEL
250	WESTERBEKE	4	CYLINDER GASOLINE ENGINE-CARBURETOR
254	WESTERBEKE	4	CYLINDER GASOLINE ENGINE-MISCELLANEOUS

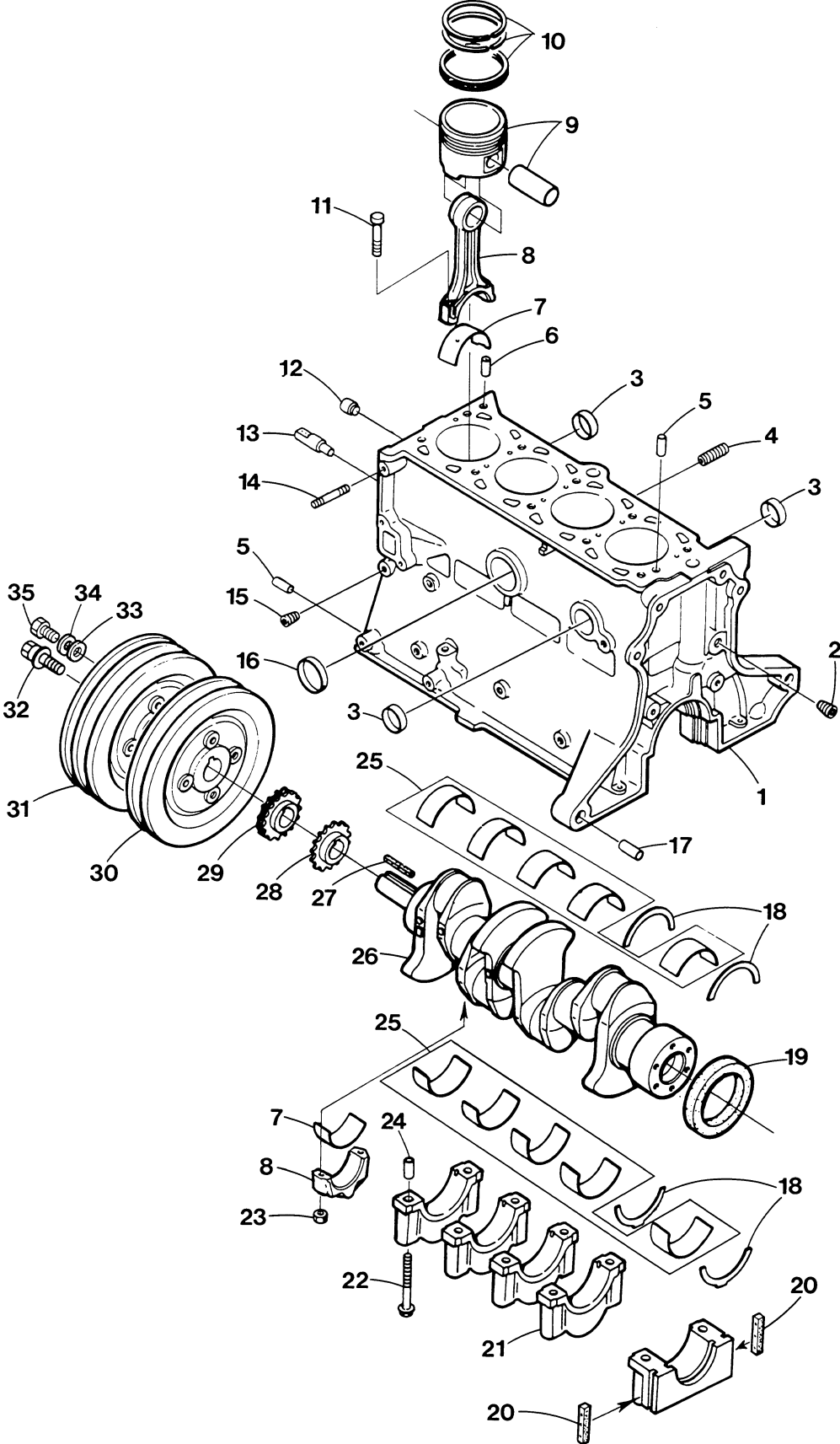
WESTERBEKE 4 CYLINDER GASOLINE ENGINE - CYLINDER BLOCK - CRANKSHAFT



WESTERBEKE 4 CYLINDER GASOLINE ENGINE - CYLINDER BLOCK - CRANKSHAFT

REF	PN	NAME	REMARKS	QUAN
1-1	034906	BLOCK	ASSEMBLY W41G,TWG-6.5-8KW	1
1-2	034050	BLOCK	SHORT W41G,TWG-6.5-8KW	1
1-3	034038	BLOCK	BARE W41G,TWG-6.5-8KW	1
1-4	034910	BLOCK	ASSEMBLY W70G,TWG-11KW	1
1-5	034103	BLOCK	SHORT W70G,TWG-11KW	1
1-6	034098	BLOCK	BARE W70G,TWG-11KW	1
2	034171	PLUG		1
3	024349	PLUG	EXPANSION,CUP 35MM	3
4	034132	NIPPLE	OIL FILTER	1
5	033676	DOWEL	TUBULAR 12 X 12	3
6	034131	PLUG	OIL CONTROL	1
7-1	034151	BEARING	SET,CONNECTING ROD-STD	1
7-2	034152	BEARING	SET,CONNECTING ROD-0.25MM	1
7-3	034153	BEARING	SET,CONNECTING ROD-0.50MM	1
7-4	034154	BEARING	SET,CONNECTING ROD-0.75MM	1
8-1	034066	ROD	CONNECTING W41G,TWG-6.5-8KW	4
8-2	034149	ROD	CONNECTING W70G,TWG-11KW	4
9-1	034045	PISTON	WITH PIN-STD W41G,TWG-6.5-8KW	4
9-2	034046	PISTON	WITH PIN-0.25MM W41G,TWG-6.5-8KW	4
9-3	034047	PISTON	WITH PIN-0.50MM W41G,TWG-6.5-8KW	4
9-4	034048	PISTON	WITH PIN-0.75MM W41G,TWG-6.5-8KW	4
9-5	034049	PISTON	WITH PIN-1.00MM W41G,TWG-6.5-8KW	4
9-6	034100	PISTON	WITH PIN-STD W70G,TWG-11KW	4
9-7	034101	PISTON	WITH PIN-0.25MM W70G,TWG-11KW	4
9-8	034102	PISTON	WITH PIN-0.50MM W70G,TWG-11KW	4
10-1	034040	RING SET	ENGINE SET-STD W41G,TWG-6.5-8KW	1
10-2	034041	RING SET	ENGINE SET-0.25MM W41G,TWG-6.5-8KW	1
10-3	034042	RING SET	ENGINE SET-0.50MM W41G,TWG-6.5-8KW	1
10-4	034043	RING SET	ENGINE SET-0.75MM W41G,TWG-6.5-8KW	1
10-5	034044	RING SET	ENGINE SET-1.00MM W41G,TWG-6.5-8KW	1
10-6	034094	RING SET	ENGINE SET-STD W70G,TWG-11KW	1
10-7	034095	RING SET	ENGINE SET-0.25MM W70G,TWG-11KW	1
10-8	034096	RING SET	ENGINE SET-0.50MM W70G,TWG-11KW	1
11		BOLT	CONNECTING ROD-SEE REF 8	
12	034119	PLUG		2
13	034058	JET	OIL	1
14	015828	STUD	M 8 X 22 DIN 939	1
15	033624	PLUG		1
16	033657	PLUG	EXPANSION,CUP 40MM	1
17	033311	DOWEL	BLOCK TO BACKPLATE	2
18-1	034150	WASHER	THRUST,SET-STD	1
18-2	034155	WASHER	THRUST,SET-0.25MM	1
18-3	034156	WASHER	THRUST,SET-0.50MM	1
18-4	034157	WASHER	THRUST,SET-0.75MM	1
19	034141	SEAL	OIL	1
20	034124	SEAL	MAIN BEARING CAP	2
21		CAP	MAIN BEARING-SEE REF 1	
22	034060	BOLT	MAIN BEARING CAP	10
23		NUT	CONNECTING ROD-SEE REF 8	10
24	034168	DOWEL	TUBULAR 14 X 12	10

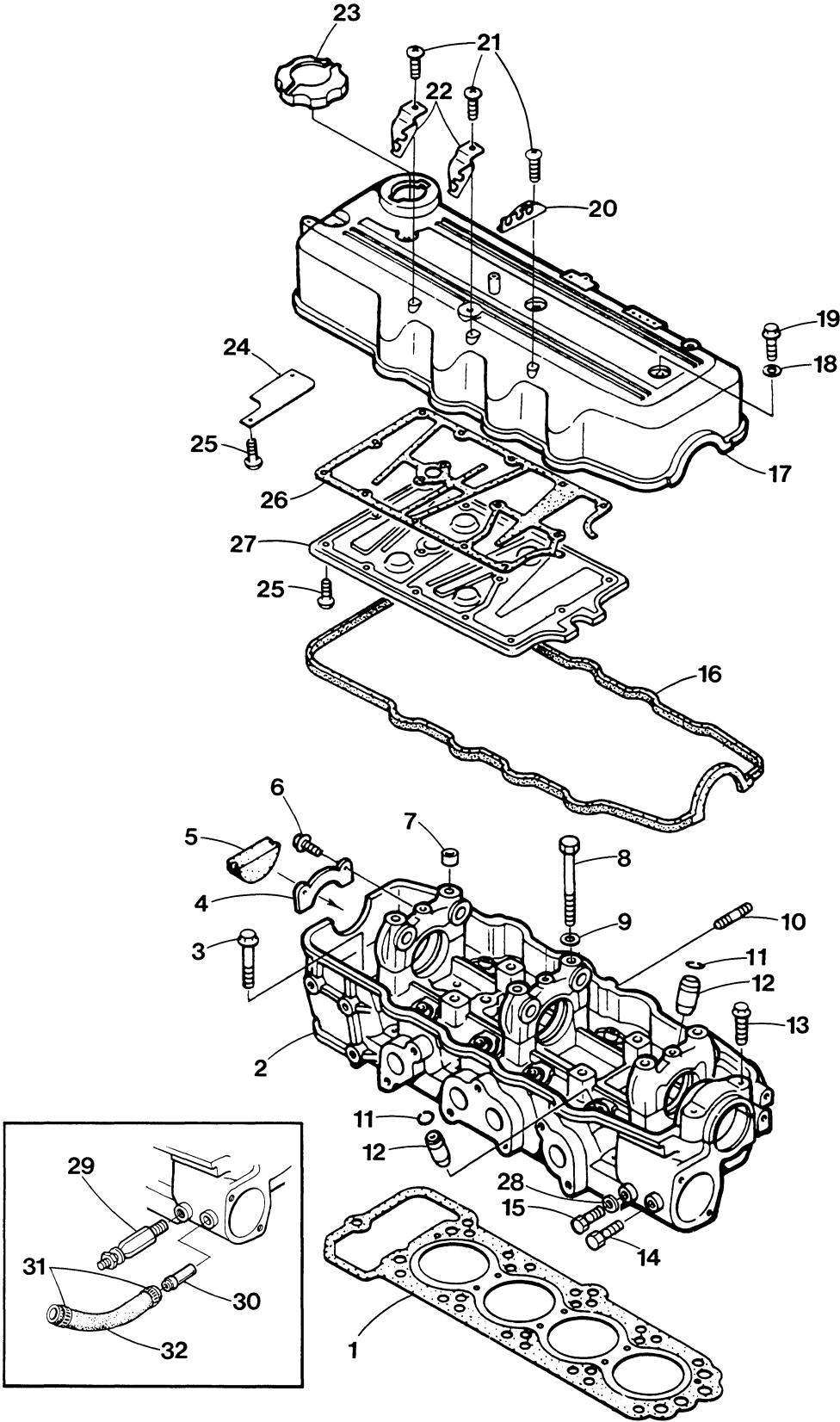
WESTERBEKE 4 CYLINDER GASOLINE ENGINE - CYLINDER BLOCK - CRANKSHAFT



WESTERBEKE 4 CYLINDER GASOLINE ENGINE - CYLINDER BLOCK - CRANKSHAFT

REF	PN	NAME	REMARKS	QUAN
25-1	034088	BEARING	SET,MAIN-STD	1
25-2	034089	BEARING	SET,MAIN-0.25MM	1
25-3	034090	BEARING	SET,MAIN-0.50MM	1
25-4	034091	BEARING	SET,MAIN-0.75MM	1
26-1	034067	CRANKSHAFT	W41G,TWG-6.5-8KW	1
26-2	034099	CRANKSHAFT	W70G,TWG-11KW	1
27	034068	KEY	CRANKSHAFT	1
28	034069	SPROCKET	OIL PUMP CHAIN DRIVE	1
29	034148	SPROCKET	TIMING CHAIN DRIVE	1
30	034092	PULLEY	CRANKSHAFT 1 GROOVE	1
31	033256	PULLEY	CRANKSHAFT 2 GROOVE	1
32	034070	BOLT	CRANKSHAFT PULLEY	1
33	031784	WASHER	M 6 DIN 125	4
34	031783	LOCKWASHER	M 6 DIN 127	4
35	013590	CAPSCREW	M 6 X 30 DIN 933	4

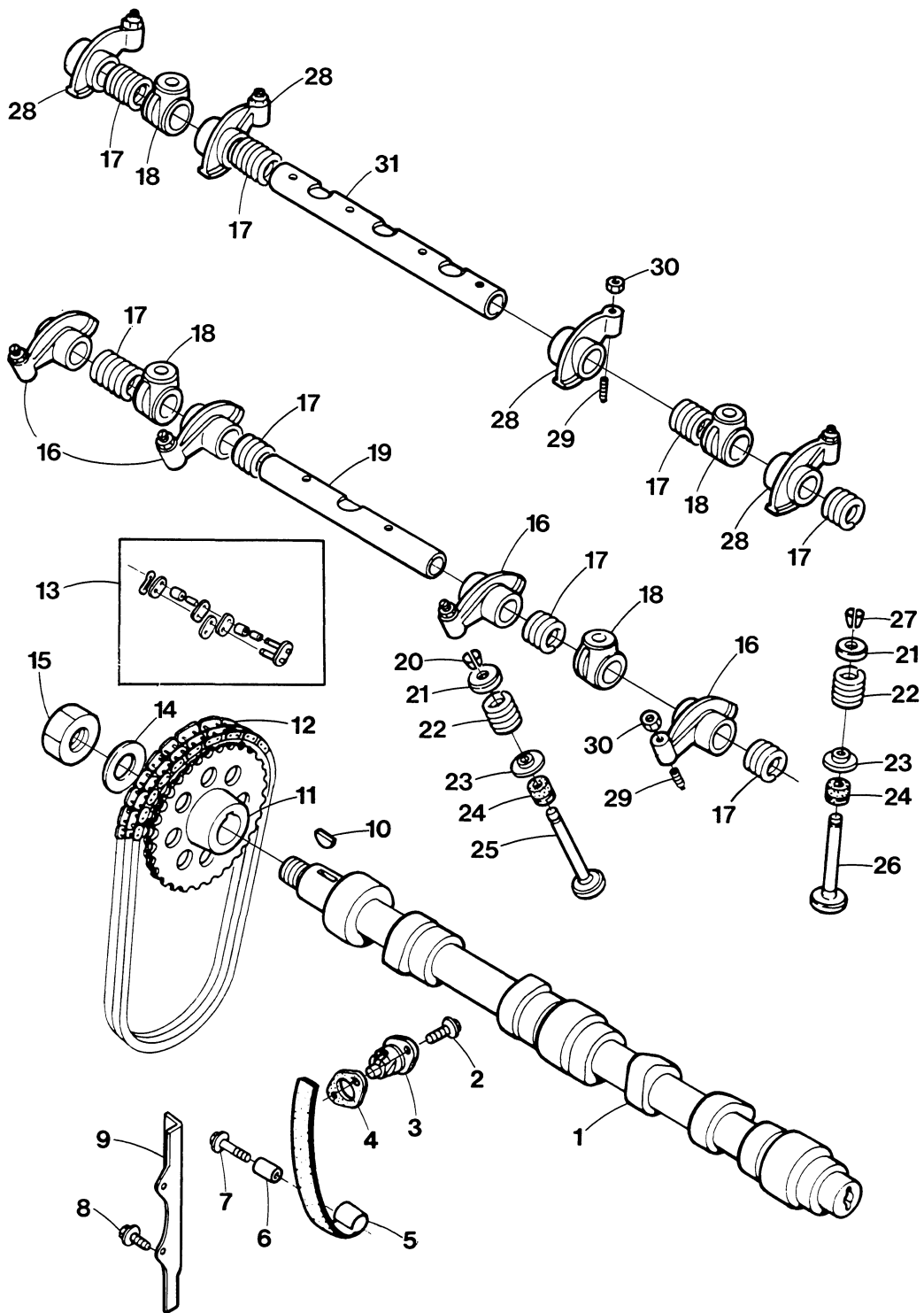
WESTERBEKE 4 CYLINDER GASOLINE ENGINE - CYLINDER HEAD



WESTERBEKE 4 CYLINDER GASOLINE ENGINE - CYLINDER HEAD

REF	PN	NAME	REMARKS	QUAN
1-1	033818	GASKET	CYLINDER HEAD W41G,TWG-6.5-8KW	1
1-2	034057	GASKET	CYLINDER HEAD W70G,TWG-11KW	1
2-1	034037	HEAD	CYLINDER W41G,TWG-6.5-8KW	1
2-2	034105	HEAD	CYLINDER W70G,TWG-11KW	1
3	033644	CAPSCREW	M 8 X 35 JIS-FLANGE	1
4	034126	PLATE	THRUST	1
5	034129	SEAL	OIL	1
6	034165	SCREW	M 6 X 16 RH	2
7	034168	DOWEL	TUBULAR 14 X 12	6
8	034125	BOLT	CYLINDER HEAD	10
9	034133	WASHER	CYLINDER HEAD BOLT	10
10	015828	STUD	M 8 X 22 DIN 939	3
11	034118	CLIP	VALVE GUIDE	8
12	034158	GUIDE	VALVE	8
13	033645	CAPSCREW	M 8 X 40 JIS-FLANGE	2
14-1	011471	PETCOCK	TO JUNE 1985	1
14-2	016690	NIPPLE	1/8NPT TO BYPASS HOSE FROM JUNE 1985	1
15	034567	PLUG	M 8 X 0.75 TO JUNE 1985	1
16	033819	GASKET	ROCKER COVER	1
17	034053	COVER	ROCKER INCL REF 24 THRU 27	1
18	034130	SEAL	ROCKER COVER CAPSCREW	3
19	033646	CAPSCREW	M 8 X 45 JIS-FLANGE	3
20	034054	BRACKET	PLUG WIRE	1
21	034175	SCREW	M 5 X 12 TAPPING	3
22	034056	BRACKET	PLUG WIRE	2
23	034109	CAP	OIL FILLER	1
24	034055	PLATE	OIL SEPARATOR	1
25	034172	SCREW	M 4 X 8 RH	17
26	034128	GASKET	OIL BAFFLE PLATE	1
27	034127	PLATE	OIL BAFFLE	1
28	030289	WASHER	BANJO M 8 WITH PLUG 34567	1
29	035109	SENDER	WATER TEMPERATURE 1/8NPT FROM JUNE 1985	1
30		NIPPLE	BYPASS HOSE-PART OF HEAD	1
31	024906	CLAMP	HOSE	2
32	035128	HOSE	BYPASS FROM JUNE 1985	1

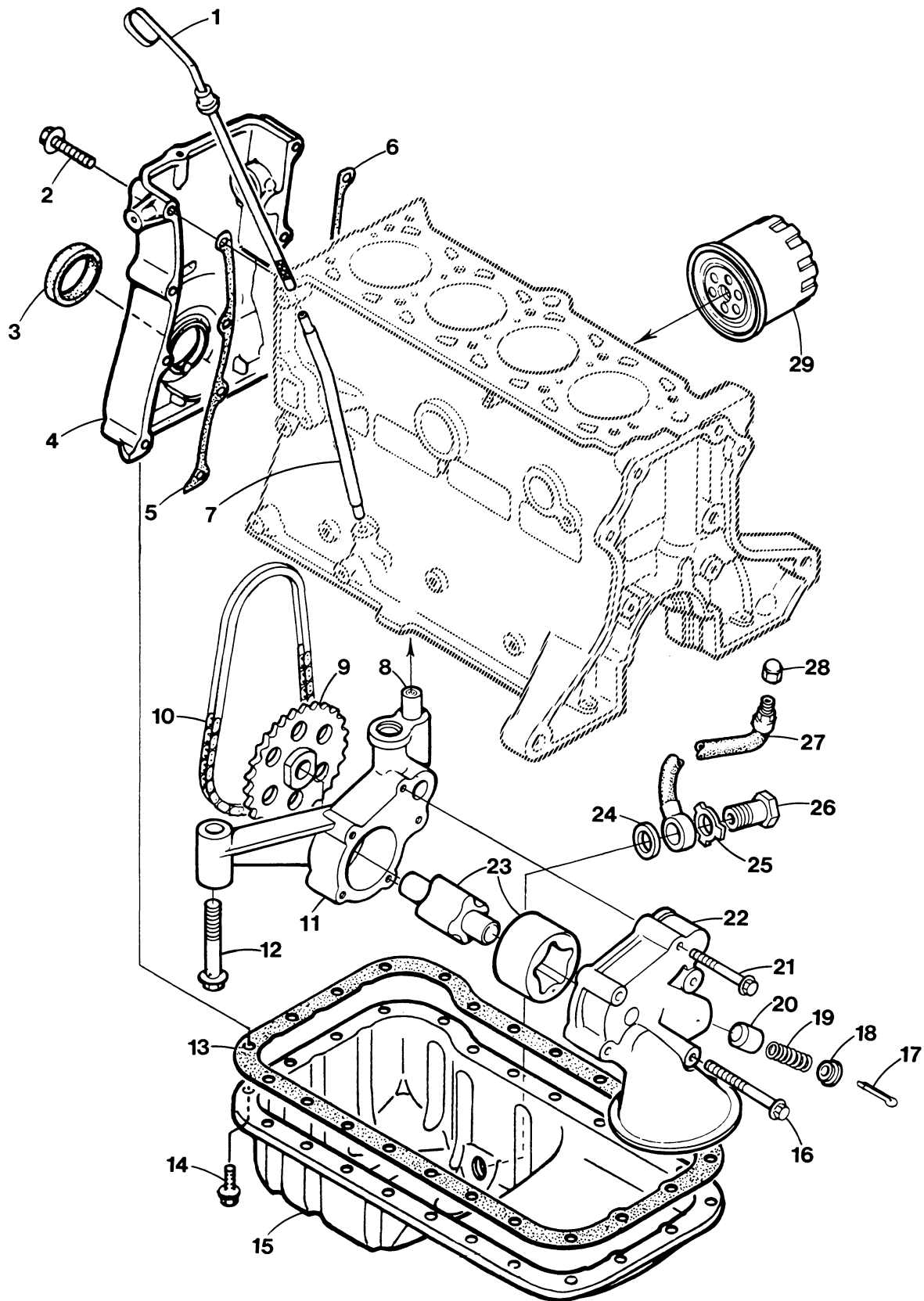
WESTERBEKE 4 CYLINDER GASOLINE ENGINE - CAMSHAFT - ROCKER SHAFT



WESTERBEKE 4 CYLINDER GASOLINE ENGINE - CAMSHAFT - ROCKER SHAFT

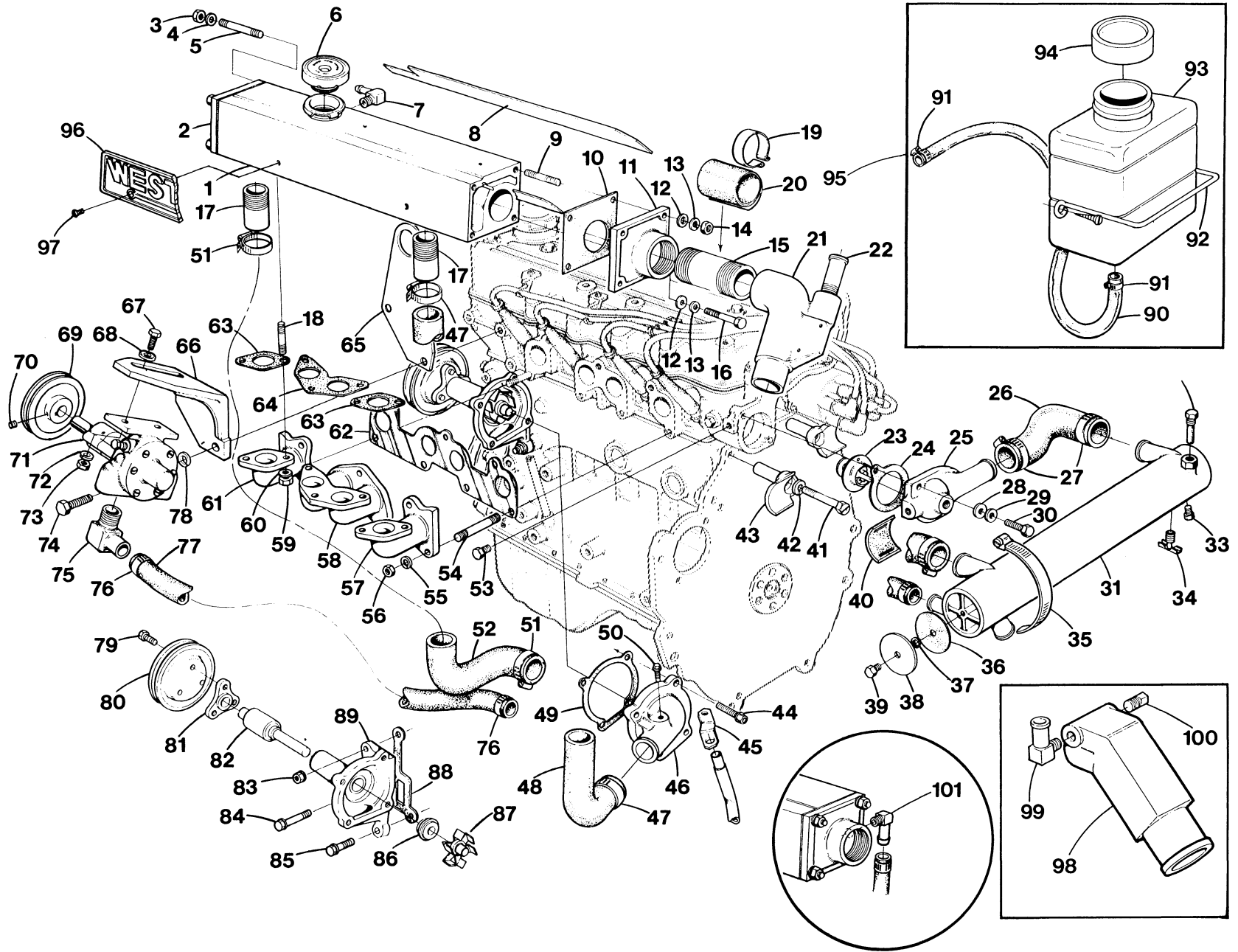
REF	PN	NAME	REMARKS	QUAN
1-1	034039	CAMSHAFT	W41G,TWG-6.5-8KW	1
1-2	034071	CAMSHAFT	W70G,TWG-11KW	1
2	033669	CAPSCREW	M 6 X 16 JIS-FLANGE	2
3	034072	TENSIONER	TIMING CHAIN ADJUST	1
4	034073	GASKET	TIMING CHAIN TENSIONER	1
5	034074	TENSIONER	BLADE-TIMING CHAIN	1
6	034139	SPACER	TENSIONER BLADE PIVOT	1
7	034566	BOLT	TENSIONER BLADE	1
8	034565	CAPSCREW	M 6 X 10 JIS-FLANGE	2
9	034075	DAMPER	TIMING CHAIN	1
10	034170	KEY	SPROCKET TO CAMSHAFT	1
11	034097	SPROCKET	CAMSHAFT-TIMING CHAIN	1
12	034144	CHAIN	TIMING	1
13	034145	LINK	TIMING CHAIN	1
14	034564	WASHER	M22 DIN 125	1
15	034147	NUT	LOCK	1
16	034162	ROCKER	ASSEMBLY-EXHAUST	4
17	034136	SPRING	ROCKER SHAFT	8
18	034138	BRACKET	ROCKER SHAFT	4
19	034137	SHAFT	ROCKER-EXHAUST	1
20	034121	COTTER	EXHAUST VALVE	8
21	034120	SEAT	VALVE SPRING-UPPER	8
22	034159	SPRING	VALVE	8
23	034163	SEAT	VALVE SPRING-LOWER	8
24	034115	SEAL	VALVE	8
25	034143	VALVE	EXHAUST	4
26	034134	VALVE	INTAKE	4
27	034142	COTTER	INTAKE VALVE	8
28	034160	ROCKER	ASSEMBLY-INTAKE	4
29	034161	SCREW	ROCKER ADJUSTING	8
30	032909	NUT	ROCKER ADJUSTING	8
31	034135	SHAFT	ROCKER-INTAKE	1

WESTERBEKE 4 CYLINDER GASOLINE ENGINE - SUMP - OIL PUMP - TIMING COVER



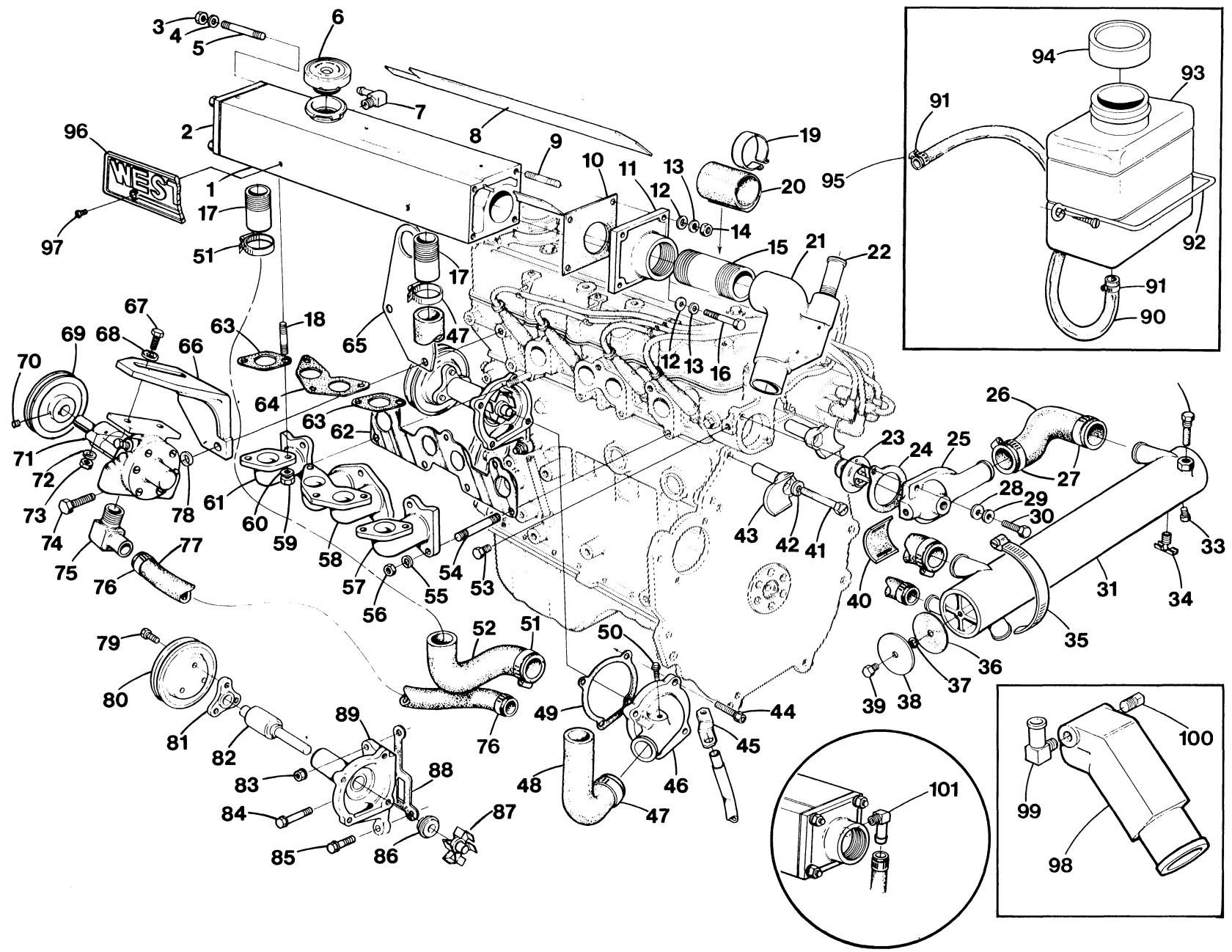
WESTERBEKE 4 CYLINDER GASOLINE ENGINE - SUMP - OIL PUMP - TIMING COVER

REF	PN	NAME	REMARKS	QUAN
1	034110	DIPSTICK		1
2	033647	CAPSCREW	M 8 X 50 JIS-FLANGE	8
3	034117	SEAL	OIL	1
4	034063	CASE	TIMING	1
5	034065	GASKET	TIMING CASE TO BLOCK-LEFT	1
6	034064	GASKET	TIMING CASE TO BLOCK-RIGHT	1
7	034059	TUBE	DIPSTICK	1
8	034167	DOWEL	TUBULAR 12 X 8	2
9	034082	SPROCKET	OIL PUMP DRIVE	1
10	034081	CHAIN	OIL PUMP DRIVE	1
11	034111	PUMP	LUBE OIL COMPLETE	1
12	033647	CAPSCREW	M 8 X 50 JIS-FLANGE	2
13	034087	GASKET	SUMP TO BLOCK	1
14	017012	CAPSCREW	M 6 X 16 DIN 933	22
15	034061	SUMP	LUBE OIL	1
16	034173	CAPSCREW	M 6 X 65 JIS-FLANGE	1
17	034166	PIN	COTTER	1
18	034123	PLUG	OIL RELIEF VALVE	1
19	034140	SPRING	OIL RELIEF VALVE	1
20	034122	PLUNGER	OIL RELIEF VALVE	1
21	033671	CAPSCREW	M 6 X 35 JIS-FLANGE	4
22	034112	COVER	OIL PUMP	1
23	034080	SHAFT	ASSEMBLY	1
24	030291	WASHER	BANJO	1
25	024913	TABWASHER	SUMP DRAIN	1
26	024901	BOLT	BANJO-TO SEAL LOCTITE PST MUST BE USED	1
27-1	033056	HOSE	SUMP DRAIN W41G,W70G	1
27-2	033691	HOSE	SUMP DRAIN TWG-6.5-8-11KW	1
28	024905	CAP	SUMP DRAIN HOSE	1
29	030220	FILTER	LUBE OIL	1



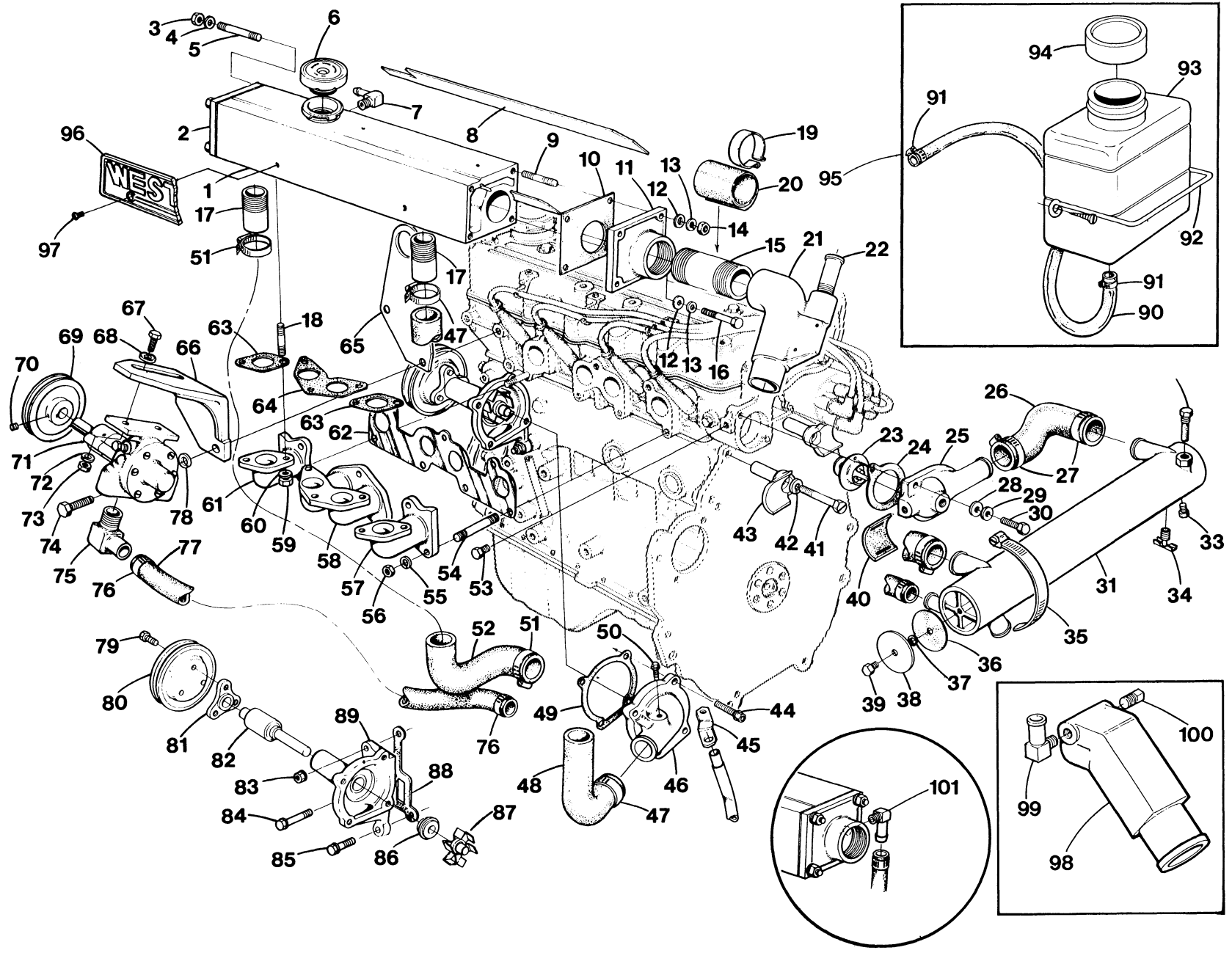
WESTERBEKE 4 CYLINDER GASOLINE ENGINE - COOLING SYSTEM

REF	PN	NAME	REMARKS	QUAN
1-1	033465	MANIFOLD	EXHAUST ASSEMBLY INCL REF 1 THRU 18	1
1-2	033409	MANIFOLD	EXHAUST	1
2	033411	COVER	MANIFOLD END	1
3	031760	NUT	5/16NF	4
4	031758	LOCKWASHER	5/16	4
5	011928	STUD		4
6	024306	CAP	PRESSURE	1
7	024907	ELBOW	MANIFOLD TO RECOVERY TANK TUBING	1
8-1	034887	BAFFLE	MANIFOLD-FRONT	1
8-2	034488	BAFFLE	MANIFOLD-REAR	1
9	011263	STUD		3
10	033414	GASKET	MANIFOLD END	2
11	033412	FLANGE	MANIFOLD END	1
12	031759	WASHER	FLAT 5/16	4
13	031758	LOCKWASHER	5/16	4
14	031760	NUT	5/16NF	3
15-1	030891	NIPPLE	1.5NPT X 4 WITH 90 DEGREE EXHAUST ELBOW	1
15-2	020439	NIPPLE	1.5NPT CLOSE WITH 45 DEGREE ELBOW	1
15-3		LOC-TITE	ANTI-SEIZE MUST BE USED ON THREADS	
16	031558	CAPSCREW	5/16NC X 1-3/4	1
17	034424	NIPPLE	HOSE TO MANIFOLD	2
18	011263	STUD		7
19	030058	SPRING	INSULATOR RETAINING WITH 30891 NIPPLE	2
20	030060	INSULATOR	EXHAUST NIPPLE 30891	1
21	033067	ELBOW	WATER INJECTED EXHAUST 90 DEGREE	1
22	032230	NIPPLE	HOSE TO 33067 INJECTED ELBOW	1
23-1	035736	THERMOSTAT		1
23-2	035238	THERMOSTAT	PRIOR TO JULY 1985-NO BYPASS HOSE USED	1
24	033417	GASKET	THERMOSTAT	1
25	033318	HOUSING	THERMOSTAT	1
26	033611	ELBOW	HOSE	1
27	021878	CLAMP	HOSE 20	2
28	031787	WASHER	M 8 DIN 125	2
29	031786	LOCKWASHER	M 8 DIN 127	2
30	013630	CAPSCREW	M 8 X 25 DIN 933	2
31	034644	EXCHANGER	HEAT	1
32	011885	ZINC		1
33	019369	PLUG	1/8NPT BRASS HEX HEAD	1
34	011471	PETCOCK		1
35	033754	CLAMP	EXCHANGER MOUNTING	2
36	022851	GASKET	EXCHANGER END CAP	2
37	019321	O-RING	EXCHANGER END CAP	2
38	022850	CAP	EXCHANGER END	2
39	022852	CAPSCREW	3/8NC X 1/2 BRASS	2



WESTERBEKE 4 CYLINDER GASOLINE ENGINE - COOLING SYSTEM

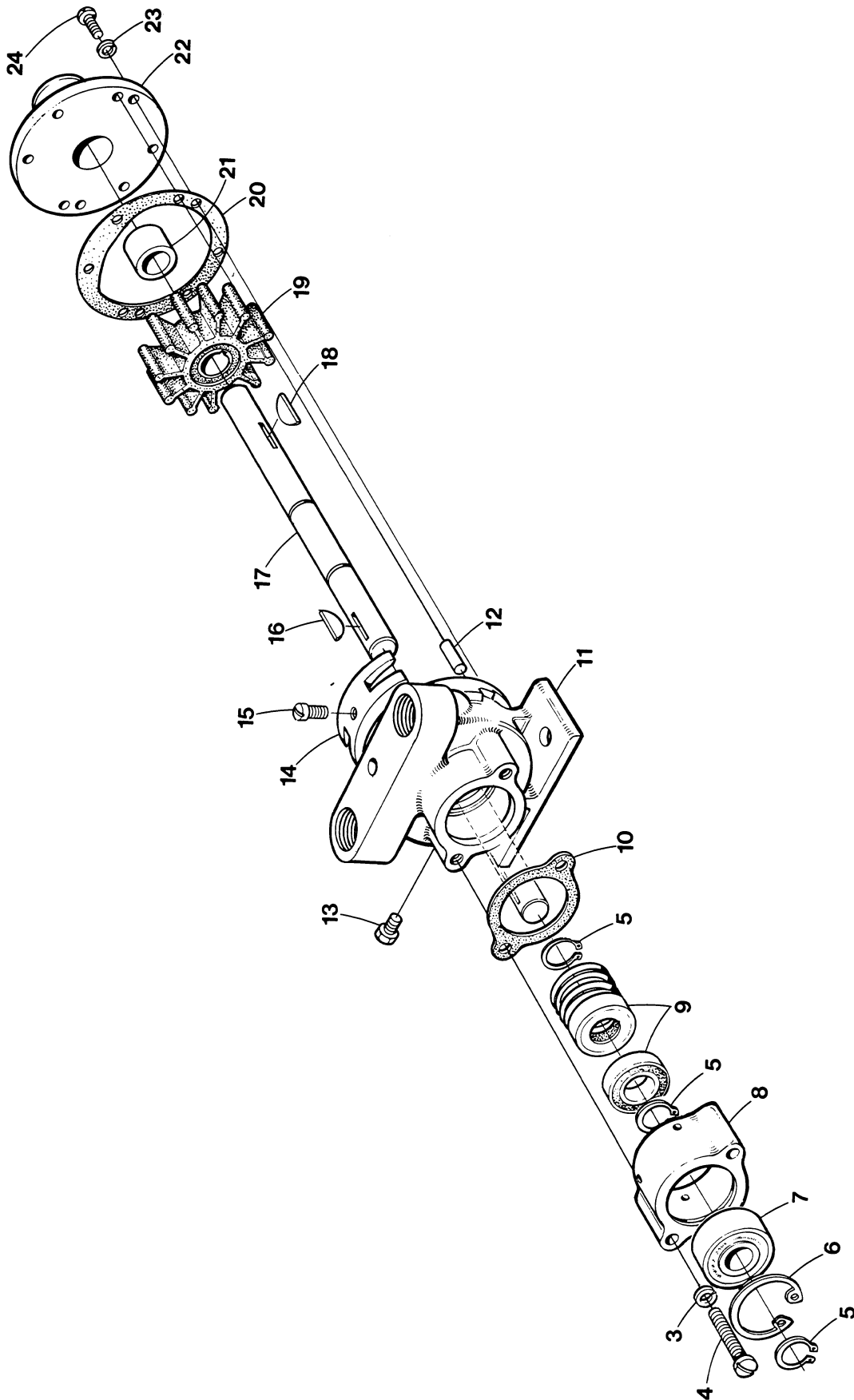
REF	PN	NAME	REMARKS	QUAN
40	033487	WASHER	EXCHANGER VIBRATION	2
41	033750	CAPSCREW	M12 X 1.5 X 90 DIN 960	2
42	031792	LOCKWASHER	M12 DIN 127	2
43	033528	BRACKET	EXCHANGER MOUNTING	2
44	033642	CAPSCREW	M 8 X 25 JIS-FLANGE	4
45	034062	BRACKET	DIPSTICK TUBE SUPPORT	1
46	033478	ELBOW	FRESH WATER PUMP	1
47	021878	CLAMP	HOSE 20	2
48	024334	ELBOW	HOSE	1
49	033481	GASKET	FRESH WATER PUMP ELBOW	1
50	034476	CAPSCREW	M 6 X 12 JIS-FLANGE	1
51	021878	CLAMP	HOSE 20	2
52	033532	ELBOW	HOSE	1
53	019369	PLUG	1/8NPT TO JUNE 1985	1
54	015830	STUD	M 8 X 25 DIN 939	7
55	031786	LOCKWASHER	M 8 DIN 127	7
56	018242	NUT	M 8 DIN 934	7
57	033408	ELBOW	MANIFOLD TO HEAR-REAR	1
58	033366	ELBOW	MANIFOLD TO HEAD-CENTER	1
59	031760	NUT	5/16NF	7
60	031758	LOCKWASHER	5/16	7
61	033320	ELBOW	MANIFOLD TO HEAD-FRONT	1
62	034079	GASKET	HEAD TO ELBOWS	1
63	033416	GASKET	ELBOW TO MANIFOLD-FRONT AND REAR	2
64	033415	GASKET	ELBOW TO MANIFOLD-CENTER	1
65	033368	EYE	LIFTING-FRONT	1
66	033254	BRACKET	SEA WATER PUMP	1
67	031556	CAPSCREW	5/16NC X 1-1/4	2
68	033381	WASHER	PUMP MOUNTING	2
69	024281	PULLEY	SEA WATER PUMP DRIVE	1
70	011357	SETSCREW	PULLEY	1
71	024102	PUMP	SEA WATER	1
72	031758	LOCKWASHER	5/16	2
73	031756	NUT	5/16NC	2
74	031228	CAPSCREW	M10 X 1.25 X 30 DIN 960	3
75	030183	ELBOW	1/2NPT TO 7/8 HOSE	1
76	011386	CLAMP	HOSE 12	2
77	019059	HOSE	7/8 WIRE REINFORCED-INCHES REQUIRED	21
78	019262	LOCKWASHER	M10 DIN 127	3



WESTERBEKE 4 CYLINDER GASOLINE ENGINE - COOLING SYSTEM

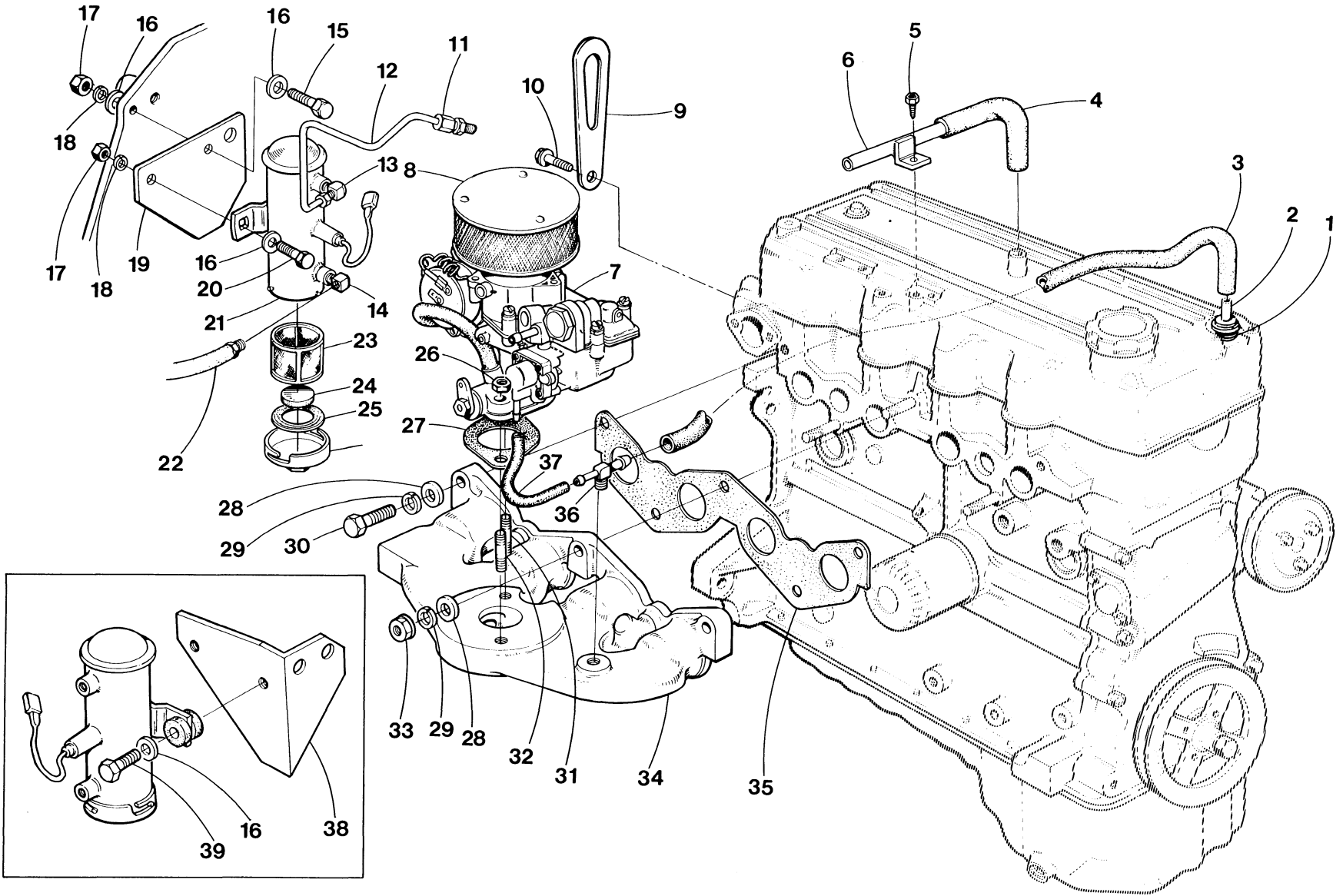
REF	PN	NAME	REMARKS	QUAN
79	034476	CAPSCREW	M 6 X 12 JIS-FLANGE	3
80	034085	PULLEY	FRESH WATER PUMP	1
81	034084	FLANGE	PUMP PULLEY	1
82		SHAFT	FRESH WATER PUMP-SEE REF 89	1
83	033668	NUT	M 8 JIS-FLANGE	1
84	034477	CAPSCREW	M 8 X 60 JIS-FLANGE	1
85	033654	CAPSCREW	M 8 X 20 JIS-FLANGE	1
86		SEAL	FRESH WATER PUMP-SEE REF 89	1
87		IMPELLER	FRESH WATER PUMP-SEE REF 89	1
88	034086	GASKET	FRESH WATER PUMP TO BLOCK	1
89	034563	PUMP	FRESH WATER INCL FLANGE	1
90	024637	TUBING	INCHES REQUIRED	30
91	024906	CLAMP	HOSE	2
92	024786	STRAP	COOLANT RECOVERY TANK MOUNTING	1
93	024704	TANK	COOLANT RECOVERY	1
94	024858	CAP	COOLANT RECOVERY TANK	1
95	024977	KIT	COOLANT RECOVERY TANK INCL REF 90-94	1
96	035411	NAMEPLATE		1
97		SCREW	8-32 X 1/4 OVAL HEAD SS	2
98	034486	ELBOW	WATER INJECTED EXHAUST 45 DEGREE	1
99	030183	ELBOW	1/2NPT TO 7/8 HOSE	1
100	035747	PLUG	1/2NPT	1
101	024907	ELBOW	MANIFOLD TO BYPASS HOSE	1

WESTERBEKE 4 CYLINDER GASOLINE ENGINE - SEA WATER PUMP



WESTERBEKE 4 CYLINDER GASOLINE ENGINE - SEA WATER PUMP

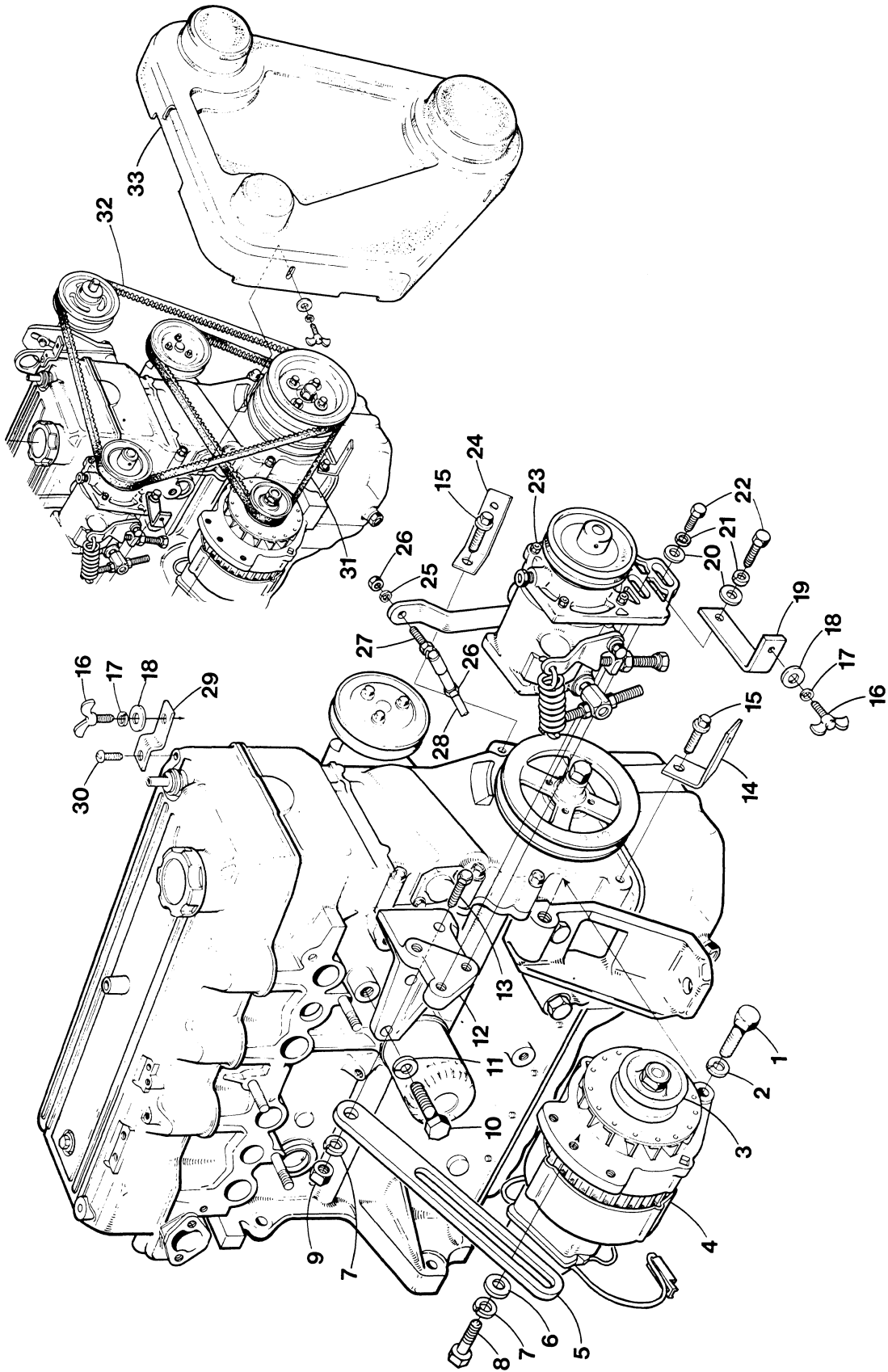
REF	PN	NAME	REMARKS	QUAN
1	024102	PUMP	SEA WATER	1
2	024652	KIT	PUMP REPAIR	1
3	024645	LOCKWASHER	BRASS	2
4	024659	SCREW	BEARING HOUSING TO PUMP HOUSING	2
5	024656	RING	RETAINING-SMALL	3
6	024655	RING	RETAINING-LARGE	1
7	024654	BEARING		1
8	024653	HOUSING	BEARING	1
9	024649	SEAL	WITH SEAT	1
10	024651	GASKET	BEARING HOUSING TO PUMP HOUSING	1
11	024650	HOUSING	PUMP BODY ASSEMBLY	1
12	018142	DOWEL	COVER TO PUMP HOUSING	2
13	019369	PLUG	DRAIN	1
14	024648	CAM		1
15	024647	SCREW	PUMP HOUSING TO CAM	1
16	024658	KEY	DRIVE PULLEY TO SHAFT	1
17	024657	SHAFT		1
18	012915	KEY	IMPELLER TO SHAFT	1
19	033112	KIT	IMPELLER AND GASKET	1
20	024646	GASKET	IMPELLER COVER	1
21	024642	BUSHING	GRAPHITE	1
22	024643	COVER	IMPELLER	1
23	024645	LOCKWASHER		6
24	024644	SCREW	BRASS-IMPELLER COVER	6



WESTERBEKE 4 CYLINDER GASOLINE ENGINE - FUEL SYSTEM - INTAKE MANIFOLD

REF	PN	NAME	REMARKS	QUAN
1	034078	SEAL	PCV VALVE	1
2	033808	VALVE	PCV	1
3	034077	HOSE	PCV VALVE	1
4	034076	HOSE	BREATHER	1
5	034175	SCREW	M 5 X 12 TAPPING	1
6	033925	TUBE	BREATHER	1
7-1	033751	CARBURETOR	INCLUDING CHOKE TWG-6.5-8-11KW	1
7-2	033577	CARBURETOR	INCLUDING CHOKE W41G-70G	1
8	034894	ARRESTOR	FLAME	1
9	030131	EYE	LIFTING	1
10	033654	CAPSCREW	M 8 X 20 JIS-FLANGE	1
11-1	019449	CONNECTOR	MALE INCLUDING NUT & FERRULE	1
11-2	016676	NUT	COMPRESSION	1
11-3	011597	FERRULE	COMPRESSION	1
12-1	033752	TUBE	LIFT PUMP TO CARBURETOR-BRACKET 33698	1
12-2	036223	TUBE	LIFT PUMP TO CARBURETOR-BRACKET 36052	1
13-1	013329	ELBOW	COMPRESSION INCLUDING NUT & FERRULE	1
13-2	016676	NUT	COMPRESSION	1
13-3	011597	FERRULE	COMPRESSION	1
14	013340	ELBOW	1/8NPT STREET	1
15	031505	CAPSCREW	1/4NC X 1	1
16	031753	WASHER	FLAT 1/4	3
17	031750	NUT	1/4NC	2
18	031752	LOCKWASHER	1/4	2
19-1	033698	BRACKET	LIFT PUMP W41G,W70G	1
19-2	033698	BRACKET	LIFT PUMP TWG-6.5-8-11KW TO AUG 1986	1
20	031503	CAPSCREW	1/4NC X 3/4	1
21	033630	PUMP	ELECTRIC FUEL LIFT 12VDC	1
22		HOSE	FUEL SUPPLY	1
23	035920	SCREEN	LIFT PUMP FILTER INCL GASKET	1
24	033792	MAGNET	LIFT PUMP COVER	1
25		GASKET	LIFT PUMP COVER	1
26	031760	NUT	5/16NF	2
27	033606	GASKET	CARBURETOR TO MANIFOLD	1
28	031787	WASHER	M 8 DIN 125	5
29	031786	LOCKWASHER	M 8 DIN 127	5
30	013630	CAPSCREW	M 8 X 25 DIN 933	2
31	011928	STUD		1
32	011263	STUD		1
33	018242	NUT	M 8 DIN 934	3
34	033370	MANIFOLD	INTAKE	1
35	033419	GASKET	MANIFOLD TO HEAD	1
36-1	033753	TEE	TWG-6.5-8-11KW	1
36-2	024907	ELBOW	MANIFOLD TO HOSE-W41G-70G	1
37	033975	HOSE	TWG-6.5-8-11KW-INCHES REQUIRED	5
38	036052	BRACKET	LIFT PUMP TWG-6.5-8-11KW FROM AUG 1986	1
39	031503	CAPSCREW	1/4NC X 3/4	2

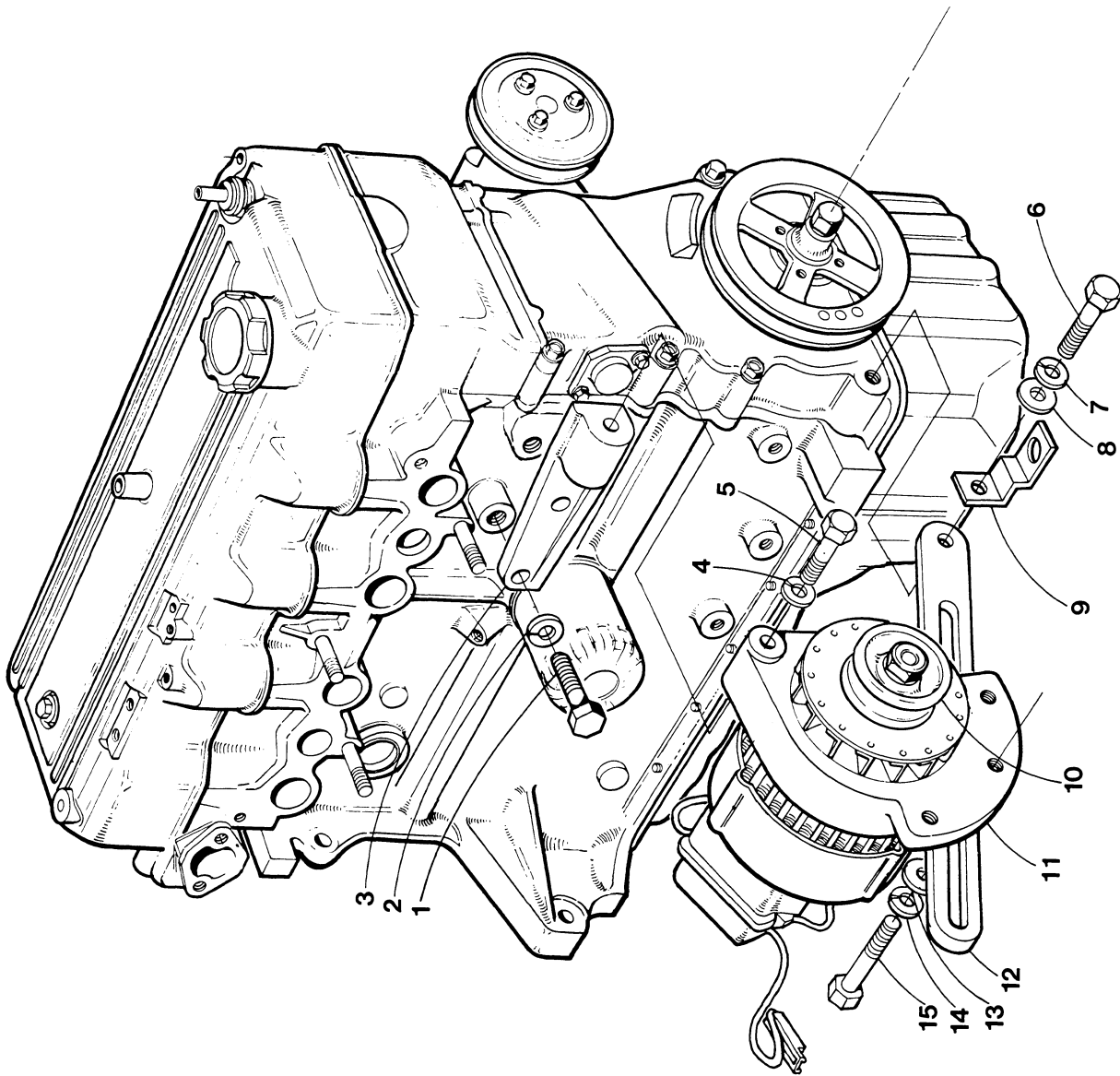
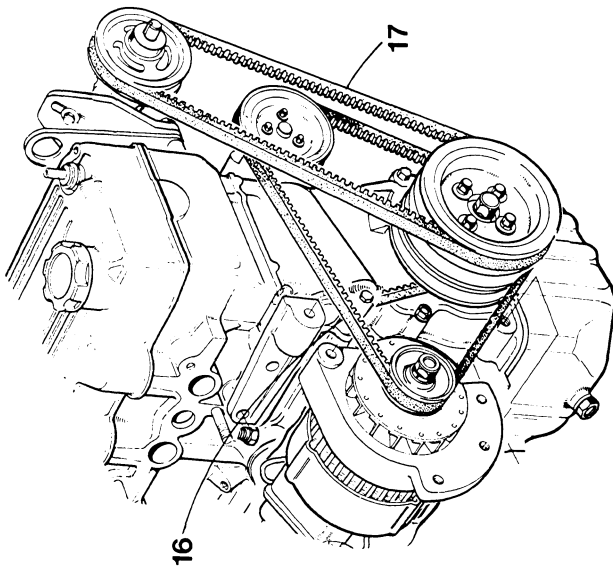
WESTERBEKE TWG-6.5-8-11KW GENERATOR - BELTS - ALTERNATOR - GOVERNOR



WESTERBEKE TWG-6.5-8-11KW GENERATOR - BELTS - ALTERNATOR - GOVERNOR

REF	PN	NAME	REMARKS	QUAN
1	031711	CAPSCREW	1/2NC X 2-1/2	1
2	031776	LOCKWASHER	1/2	1
3	011548	PULLEY	ALTERNATOR DRIVE	1
4	024684	ALTERNATOR	51 AMP 12 VDC WITH REGULATOR	1
5	033064	STRAP	ALTERNATOR ADJUSTING	1
6	033381	WASHER	ALTERNATOR STRAP	1
7	031758	LOCKWASHER	5/16	2
8	031555	CAPSCREW	5/16NC X 1	1
9	031756	NUT	5/16NC	1
10	031223	CAPSCREW	M14 X 1.5 X 30 DIN 961	2
11	031797	LOCKWASHER	M14 DIN 127	2
12	033252	BRACKET	GOVERNOR AND ADJUSTING STRAP	1
13	031555	CAPSCREW	5/16NC X 1	1
14	033227	BRACKET	BELT GUARD	1
15	033647	CAPSCREW	M 8 X 50 JIS-FLANGE	2
16	033228	WINGSCREW	BELT GUARD	4
17	031849	LOCKWASHER	10	4
18	033372	WASHER	BELT GUARD	4
19	033699	BRACKET	BELT GUARD	1
20	031765	WASHER	FLAT 3/8	3
21	031764	LOCKWASHER	3/8	3
22	031606	CAPSCREW	3/8NC X 1-1/4	3
23	033560	GOVERNOR		1
24	033380	BRACKET	BELT GUARD	1
25	031849	LOCKWASHER	10	1
26	031847	NUT	10-32	2
27	019364	BALL JOINT		1
28	033317	ROD	TIE-GOVERNOR TO CARBURETOR	1
29	033607	BRACKET	BELT GUARD	1
30	034175	SCREW	M 5 X 12 TAPPING	1
31	030592	BELT	ALTERNATOR & FRESH WATER PUMP	1
32	033681	BELT	GOVERNOR & SEA WATER PUMP	1
33	033573	GUARD	BELT	1

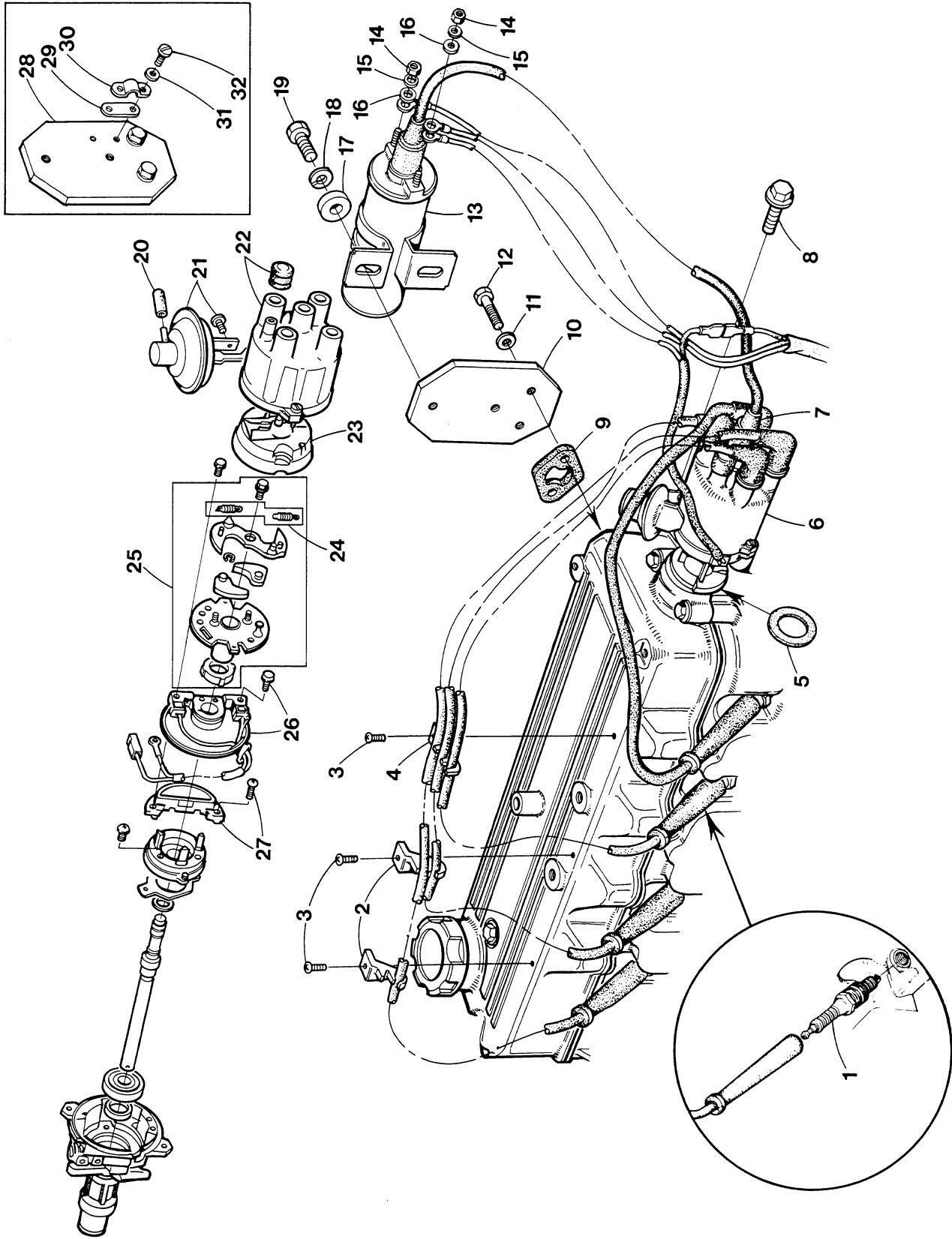
WESTERBEKE 41G-70G GASOLINE ENGINE - BELTS - ALTERNATOR



WESTERBEKE 41G-70G GASOLINE ENGINE - BELTS - ALTERNATOR

REF	PN	NAME	REMARKS	QUAN
1	031223	CAPSCREW	M14 X 1.5 X 30 DIN 961	2
2	031797	LOCKWASHER	M14 DIN 127	2
3	034766	BRACKET	ALTERNATOR MOUNTING	1
4	031776	LOCKWASHER	1/2	1
5	031711	CAPSCREW	1/2NC X 2-1/2	1
6	024949	CAPSCREW	M 8 X 50 DIN 931	1
7	031786	LOCKWASHER	M 8 DIN 127	1
8	031787	WASHER	M 8 DIN 125	1
9	024922	BRACKET	SUMP DRAIN HOSE	1
10	011548	PULLEY	ALTERNATOR DRIVE	1
11	024684	ALTERNATOR	51 AMP 12 VDC WITH REGULATOR	1
12	033064	STRAP	ALTERNATOR ADJUSTING	1
13	033381	WASHER	ADJUSTING STRAP	1
14	031758	LOCKWASHER	5/16	1
15	031555	CAPSCREW	5/16NC X 1	1
16	030592	BELT	ALTERNATOR & FRESH WATER PUMP	1
17	013859	BELT	SEA WATER PUMP	1

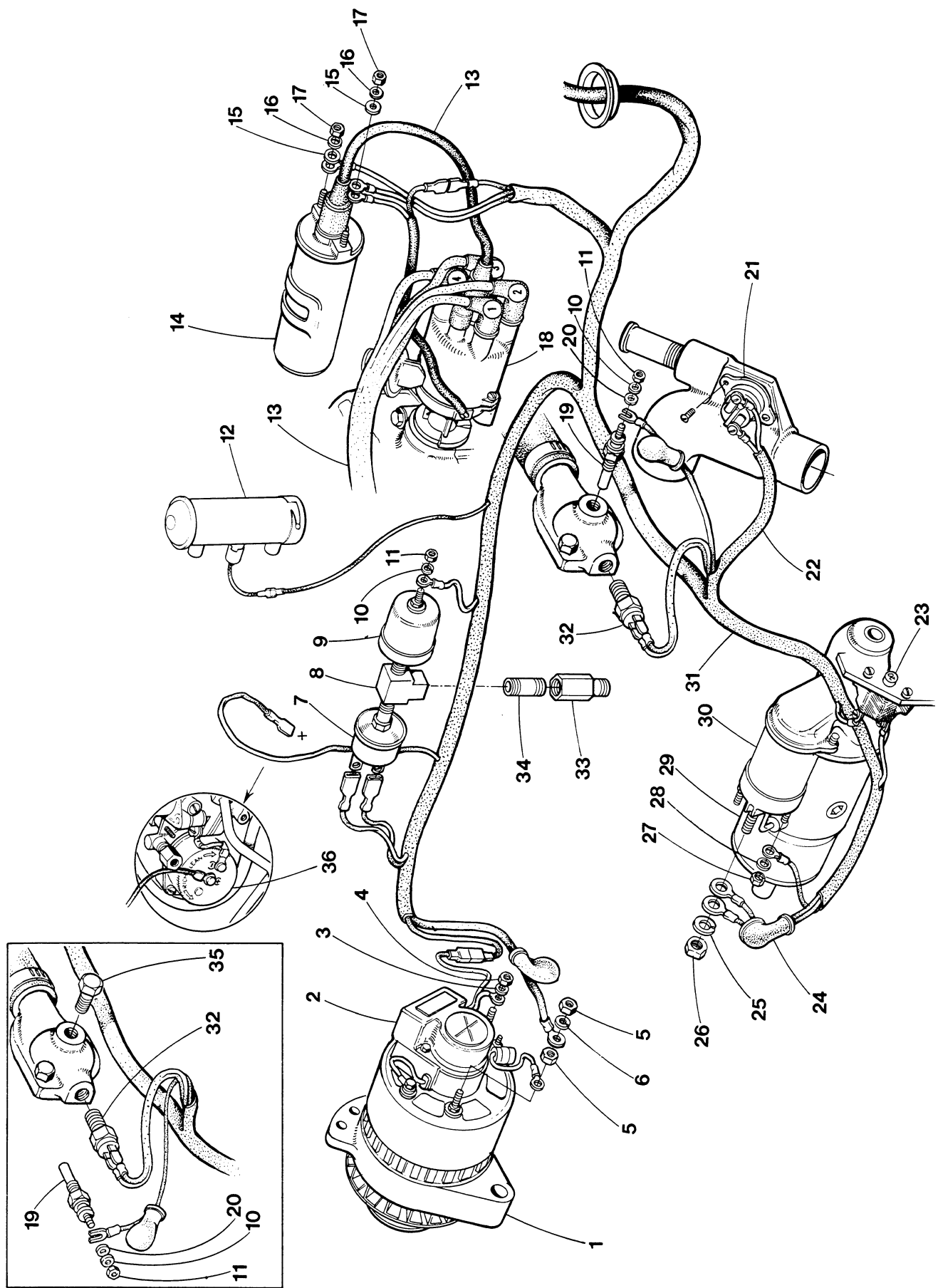
WESTERBEKE 4 CYLINDER GASOLINE ENGINE - DISTRIBUTOR - COIL - SPARKPLUG



WESTERBEKE 4 CYLINDER GASOLINE ENGINE - DISTRIBUTOR - COIL - SPARKPLUG

REF	PN	NAME	REMARKS	QUAN
1	033805	SPARKPLUG		4
2	034056	BRACKET	PLUG WIRE	2
3	034175	SCREW	M 5 X 12 TAPPING	3
4	034054	BRACKET	PLUG WIRE	1
5	034469	O-RING	DISTRIBUTOR MOUNTING	1
6-1	033807	DISTRIBUTR	W41G,TWG-6.5-8KW	1
6-2	034106	DISTRIBUTR	W70G,TWG-11KW	1
7	033817	WIRE SET	PLUGS AND COIL	1
8	033642	CAPSCREW	M 8 X 25 JIS-FLANGE	1
9	034234	GASKET	BRACKET TO HEAD	1
10	033697	BRACKET	IGNITION COIL TWG-6.5-8-11KW	1
11	031786	LOCKWASHER	M 8 DIN 127	2
12	017196	CAPSCREW	M 8 X 20 DIN 933	2
13	033806	COIL	IGNITION	1
14	015812	NUT	M 6 DIN 934	2
15	031783	LOCKWASHER	M 6 DIN 127	2
16	031784	WASHER	M 6 DIN 125	2
17	031759	WASHER	FLAT 5/16	2
18	031758	LOCKWASHER	5/16	2
19	031553	CAPSCREW	5/16NC X 3/4	2
20	033885	CAP	VINYL	1
21	034453	MODULE	DISTRIBUTOR VACUUM ADVANCE	1
22	034113	CAP	DISTRIBUTOR	1
23	034093	ROTOR	DISTRIBUTOR	1
24-1	034052	SPRING SET	DISTRIBUTOR W41G,TWG-6.5-8KW	1
24-2	034107	SPRING SET	DISTRIBUTOR W70G,TWG-11KW	1
25-1	034051	GOVERNOR	DISTRIBUTOR W41G,TWG-6.5-8KW	1
25-2	034108	GOVERNOR	DISTRIBUTOR W70G,TWG-11KW	1
26	034114	MODULE	DISTRIBUTOR PICK-UP	1
27	034164	IGNITER	DISTRIBUTOR	1
28	033697	BRACKET	IGNITION COIL W41G,W70G	1
29	013870	SHIM	THROTTLE CABLE BOTTOM W41G,W70G	1
30	013325	CLAMP	THROTTLE CABLE W41G,W70G	1
31	031849	LOCKWASHER	10	2
32	031873	SCREW	10-32 X 5/8	2

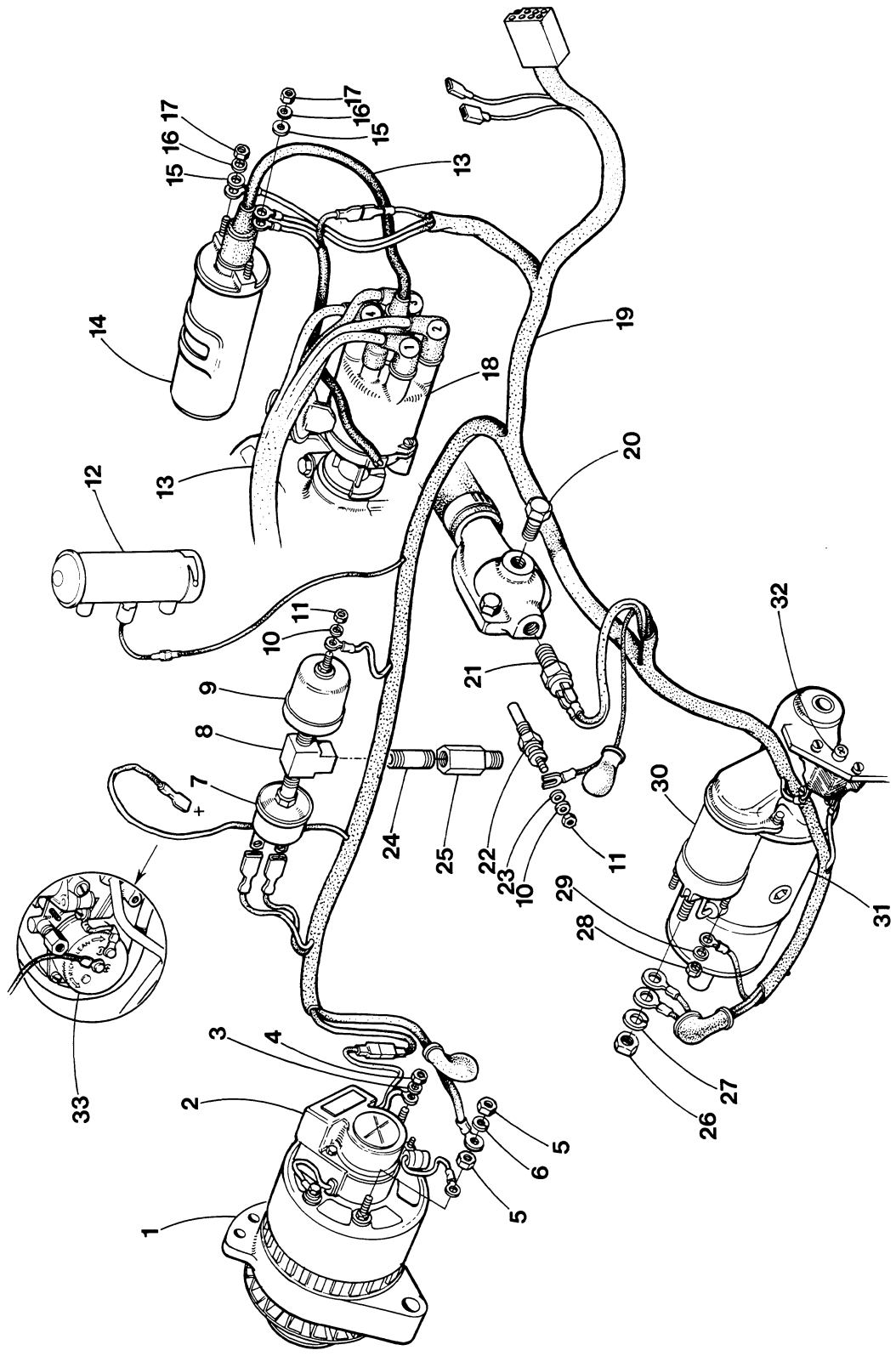
WESTERBEKE TWG-6.5-8-11KW GASOLINE GENERATOR - ENGINE WIRING HARNESS



WESTERBEKE TWG-6.5-8-11KW GASOLINE GENERATOR - ENGINE WIRING HARNESS

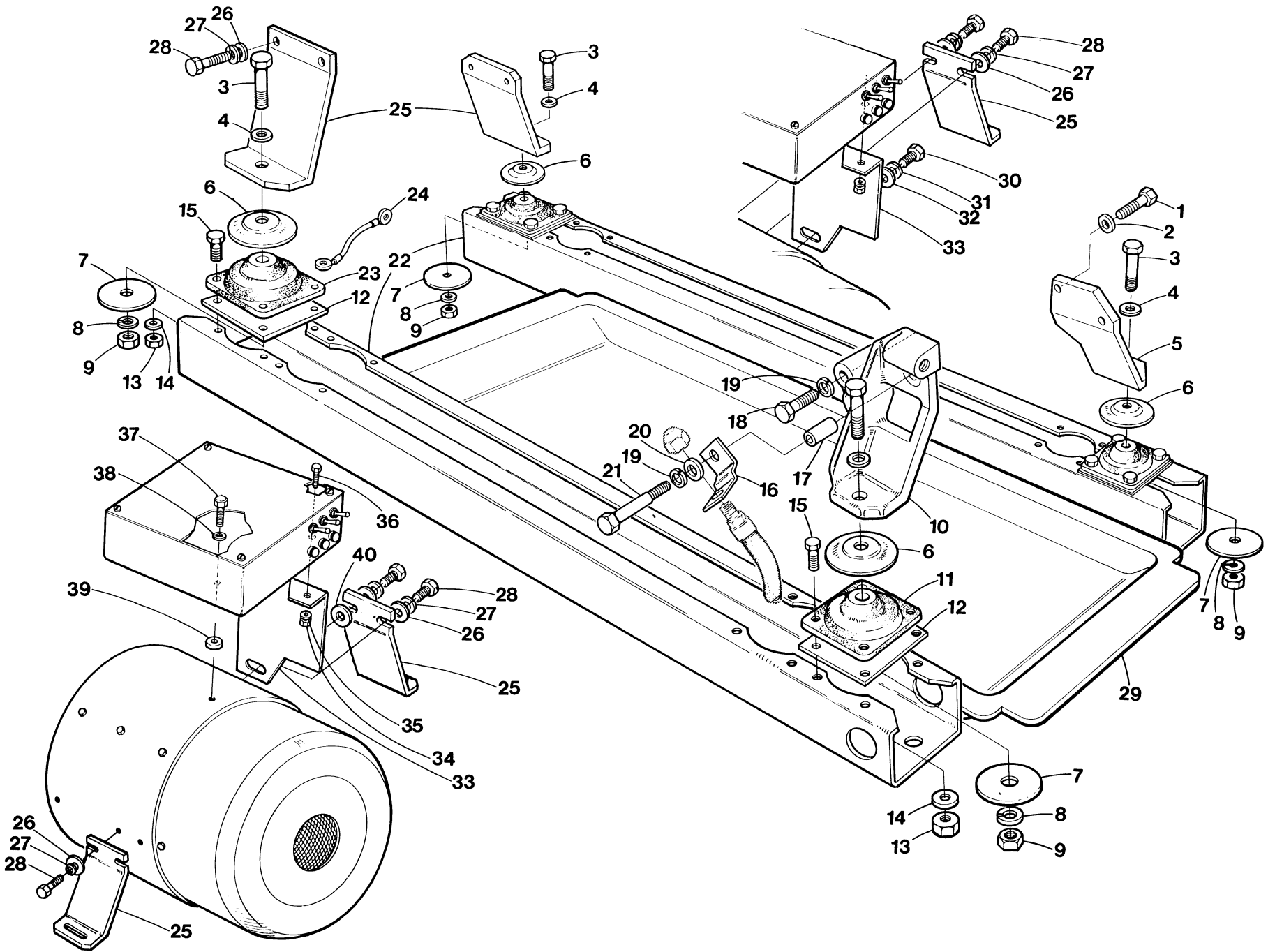
REF	PN	NAME	REMARKS	QUAN
1	024684	ALTERNATOR	51 AMP 12 VDC WITH REGULATOR	1
2	024579	REGULATOR		1
3	031849	LOCKWASHER	10	3
4		NUT	10-24	3
5	031750	NUT	1/4NC	2
6	031752	LOCKWASHER	1/4	1
7	033935	SWITCH	OIL PRESSURE-SAFETY	1
8	013350	TEE	1/8NPT	1
9	024132	SENDER	OIL PRESSURE 0-100 PSI	1
10	031849	LOCKWASHER	10	2
11	031847	NUT	10-32	2
12	033630	PUMP	ELECTRIC FUEL LIFT 12 VDC	1
13	033817	WIRE SET	SPARKPLUG AND COIL	1
14	033806	COIL	IGNITION	1
15	031781	WASHER	M 5 DIN 125	2
16	031780	LOCKWASHER	M 5 DIN 127	2
17	018241	NUT	M 5 DIN 934	2
18		DISTRIBUTR	REFER TO PAGE ON DISTRIBUTOR	1
19	035109	SENDER	WATER TEMPERATURE	1
20	031848	WASHER	FLAT 10	1
21	032923	SWITCH	EXHAUST TEMPERATURE-SAFETY	1
22	033213	TUBING	TEFLON-WIRE PROTECTION-INCHES REQUIRED	18
23	024683	BREAKER	CIRCUIT, 20 AMP	1
24	034472	BOOT	SOLENOID TERMINAL	1
25	034575	LOCKWASHER	M10 DIN 127B BRONZE	1
26	032438	NUT	M10 DIN 934 BRASS	1
27	018241	NUT	M 5 DIN 934	2
28	031780	LOCKWASHER	M 5 DIN 127	2
29	033486	MOTOR	STARTER 12VDC	1
30	036321	SOLENOID	STARTER MOTOR	1
31	033756	HARNESS	ENGINE	1
32	030096	SWITCH	WATER TEMPERATURE-SAFETY	1
33	024844	ADAPTER	1/8BSPT TO 1/8NPT	1
34	011492	NIPPLE	1/8NPT CLOSE	1
35	019369	PLUG	1/8NPT HEX HEAD BRASS	1
36	033716	CHOKE	ELECTRIC	1
37	035754	BOOT	EXHAUST TEMPERATURE SWITCH	1
38	035755	BOOT	OIL PRESSURE SWITCH	1

WESTERBEKE 41G - 70G MARINE GASOLINE ENGINE - WIRING HARNESS



WESTERBEKE 41G - 70G MARINE GASOLINE ENGINE - WIRING HARNESS

REF	PN	NAME	REMARKS	QUAN
1	024684	ALTERNATOR	51 AMP 12 VDC WITH REGULATOR	1
2	024579	REGULATOR		1
3	031849	LOCKWASHER	10	3
4		NUT	10-24	3
5	031750	NUT	1/4NC	2
6	031752	LOCKWASHER	1/4	1
7	034761	SWITCH	OIL PRESSURE-ALARM	1
8	013350	TEE	1/8NPT	1
9	011542	SENDER	OIL PRESSURE 0-80 PSI	1
10	031849	LOCKWASHER	10	2
11	031847	NUT	10-32	2
12	033630	PUMP	ELECTRIC FUEL LIFT 12 VDC	1
13	033817	WIRE SET	SPARKPLUG AND COIL	1
14	033806	COIL	IGNITION	1
15	031781	WASHER	M 5 DIN 125	2
16	031780	LOCKWASHER	M 5 DIN 127	2
17	018241	NUT	M 5 DIN 934	2
18		DISTRIBUTR	REFER TO PAGE ON DISTRIBUTOR	1
19	035848	HARNESS	ENGINE	1
20	019369	PLUG	1/8NPT HEX HEAD BRASS	1
21-1	030125	SWITCH	WATER TEMPERATURE-ALARM	1
21-2	022131	BUSHING	REDUCER 1/4NPT TO 1/8NPT	1
22	035109	SENDER	WATER TEMPERATURE	1
23	031848	WASHER	FLAT 10	1
24	011492	NIPPLE	1/8NPT CLOSE	1
25	024844	ADAPTER	1/8BSPT TO 1/8NPT	1
26	032438	NUT	M10 DIN 934 BRASS	1
27	034575	LOCKWASHER	M10 DIN 127B BRONZE	1
28	018241	NUT	M 5 DIN 934	2
29	031780	LOCKWASHER	M 5 DIN 127	2
30		SOLENOID	STARTER MOTOR	1
31	034552	MOTOR	STARTER 12 VDC	1
32	024683	BREAKER	CIRCUIT, 20 AMP	1
33	033716	CHOKE	ELECTRIC	1
34	034472	BOOT	STARTER SOLENOID TERMINAL	1
35	013355	BUZZER	ALARM	1

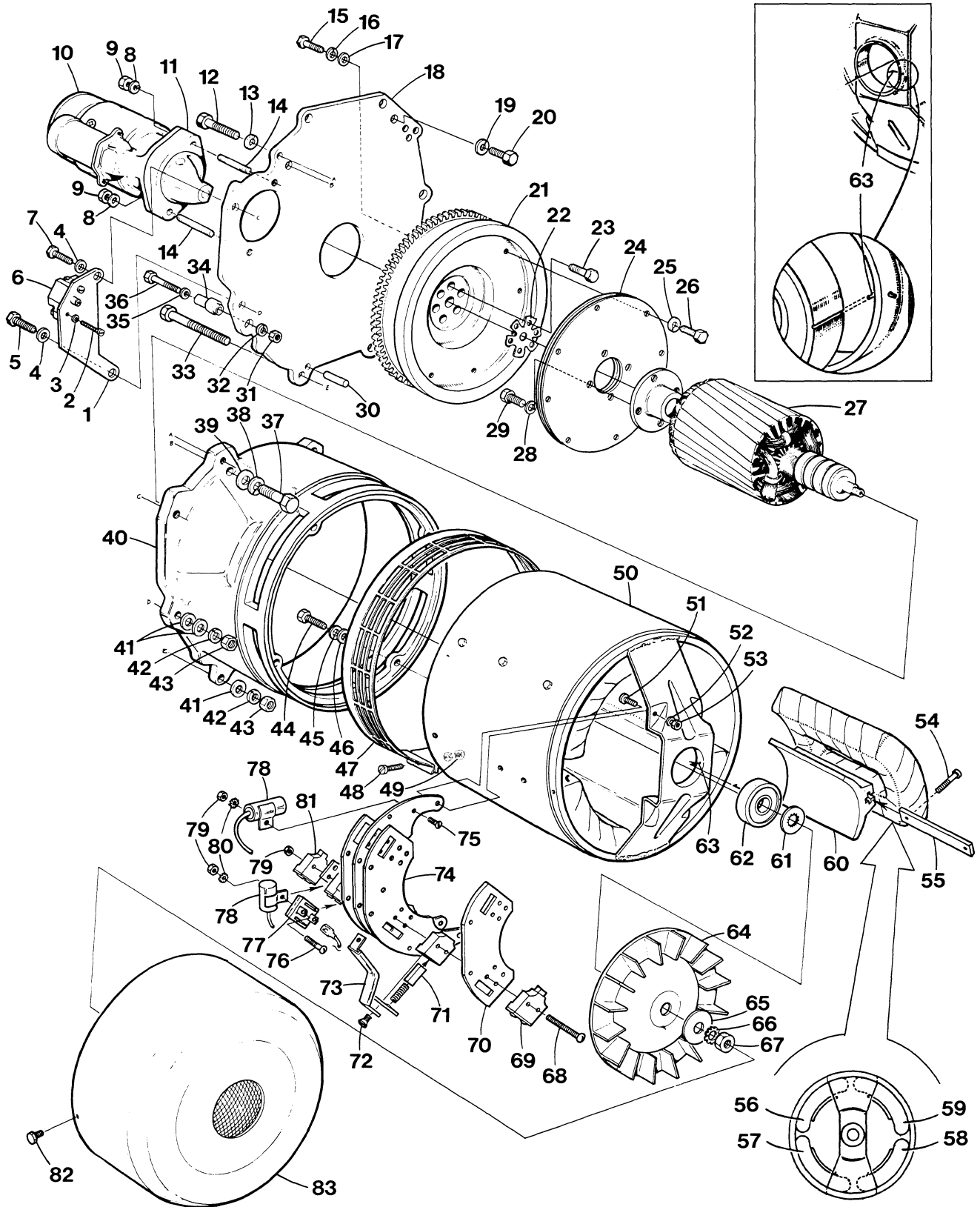


230

WESTERBEKE TWG-6.5-8-11KW GASOLINE GENERATOR - MOUNTING SYSTEM

REF	PN	NAME	REMARKS	QUAN
1	024952	CAPSCREW	M10 X 1.25 X 25 DIN 961	2
2	019262	LOCKWASHER	M10 DIN 127	2
3	031711	CAPSCREW	1/2NC X 2-1/2	4
4	031777	WASHER	FLAT 1/2	4
5	033314	MOUNT	FRONT LEFT	1
6	033530	SHIELD	ISOLATOR	4
7	024674	WASHER	SNUBBING	4
8	031776	LOCKWASHER	1/2	4
9	031774	NUT	1/2NC	4
10	033426	MOUNT	FRONT RIGHT AND ALTERNATOR	1
11	024776	ISOLATOR	FRONT	2
12	033574	PLATE	ISOLATOR TO RAIL	4
13	031756	NUT	5/16NC	16
14	031758	LOCKWASHER	5/16	16
15	031555	CAPSCREW	5/16NC X 1	16
16	024922	BRACKET	SUMP DRAIN HOSE	1
17	034497	SPACER	BRACKET TO MOUNT	1
18	024954	CAPSCREW	M10 X 1.25 X 40 DIN 961	1
19	019262	LOCKWASHER	M10 DIN 127	2
20	031789	WASHER	M10 DIN 125	1
21	031819	CAPSCREW	M10 X 1.25 X 60 DIN 960	1
22	024701	RAIL		2
23	021529	ISOLATOR	REAR	2
24	032290	STRAP	GROUND GENERATOR TO RAIL	1
25	033369	MOUNT	REAR	2
26	031771	WASHER	FLAT 7/16	4
27	031770	LOCKWASHER	7/16	4
28	031655	CAPSCREW	7/16NC X 1	4
29	033744	DRIPTRAY		1
30	031653	CAPSCREW	7/16NC X 3/4	1
31	031770	LOCKWASHER	7/16	1
32	031771	WASHER	FLAT 7/16	1
33	033690	BRACKET	PANEL SUPPORT	1
34	031750	NUT	1/4NC	2
35	031752	LOCKWASHER	1/4	2
36	031501	CAPSCREW	1/4NC X 1/2	2
37	031553	CAPSCREW	5/16NC X 3/4	1
38	031758	LOCKWASHER	5/16	1
39	033381	WASHER	SPACER	1
40		WASHER	SPACER	1

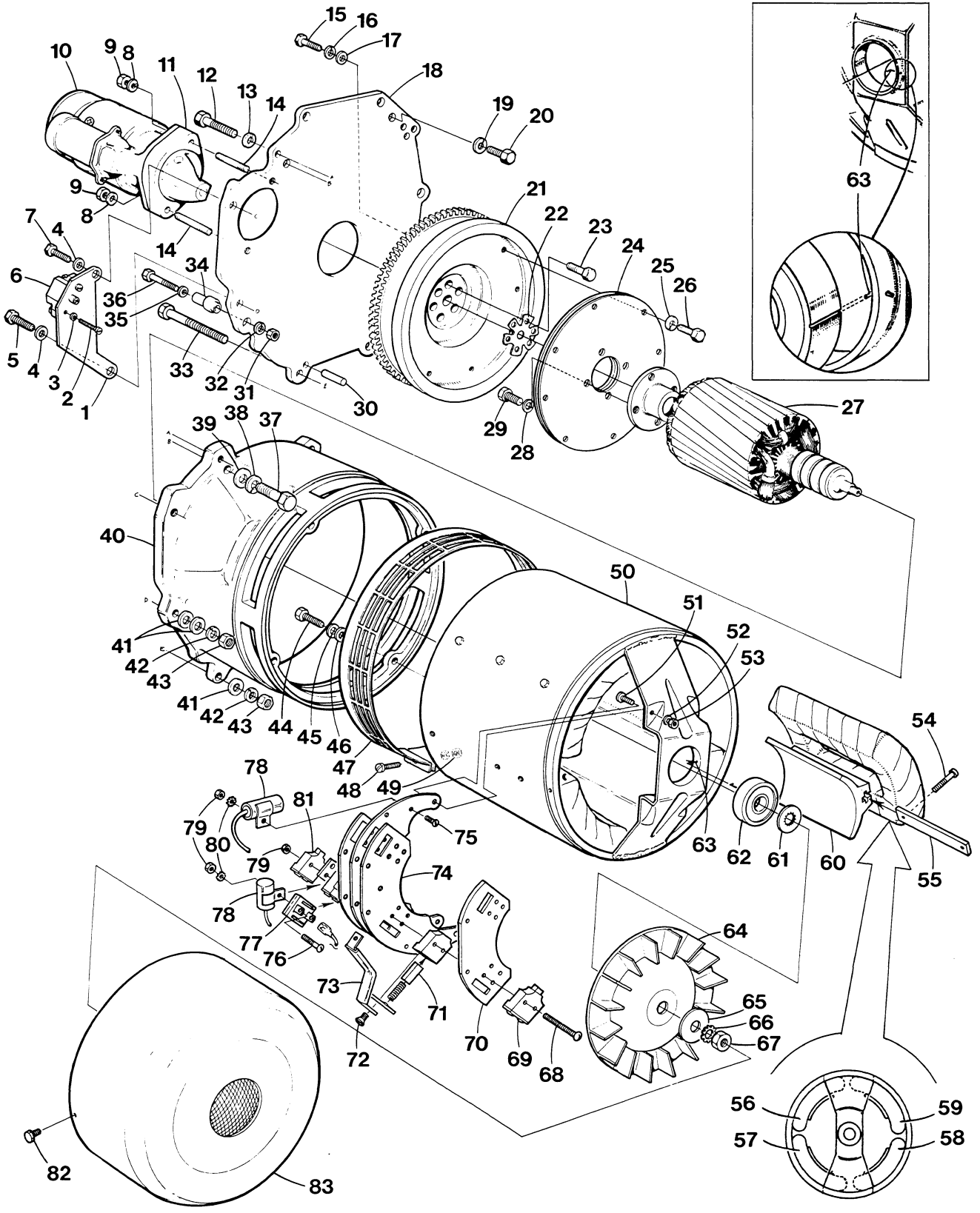
WESTERBEKE TWG-6.5-8-11KW GASOLINE GENERATOR - BACK END - GENERATOR



WESTERBEKE TWG-6.5-8-11KW GASOLINE GENERATOR - BACK END - GENERATOR

REF	PN	NAME	REMARKS	QUAN
1	033602	BRACKET	CIRCUIT BREAKER	1
2	031875	SCREW	10-32 X 7/8	2
3	031849	LOCKWASHER	10	2
4	031764	LOCKWASHER	3/8	2
5	031274	CAPSCREW	3/8NC X 2 FULLY THREADED	1
6	024683	BREAKER	CIRCUIT 20 AMP	1
7	031605	CAPSCREW	3/8NC X 1	1
8	031770	LOCKWASHER	7/16	2
9	031772	NUT	7/16NF	2
10	033486	MOTOR	STARTER 12 VDC	1
11	033512	SPACER	STARTER MOTOR TO BACKPLATE	1
12	031606	CAPSCREW	3/8NC X 1-1/4	2
13	031764	LOCKWASHER	3/8	2
14	033610	STUD	STARTER MOTOR TO BACKPLATE	2
15	031611	CAPSCREW	3/8NC X 2-1/2	1
16	031764	LOCKWASHER	3/8	1
17	031765	WASHER	FLAT 3/8	1
18	033490	PLATE	BACK	1
19	031792	LOCKWASHER	M12 DIN 127	1
20	033347	CAPSCREW	M12 X 1.5 X 25 DIN 961	1
21-1	033312	FLYWHEEL	BALANCED WITH RING GEAR	1
21-2	033561	GEAR	RING	1
22	033863	TABWASHER		1
23	033715	CAPSCREW	M12 X 1.5 X 35 DIN 961	6
24	030115	PLATE	DRIVE DISC	2
25	031758	LOCKWASHER	5/16	8
26	031553	CAPSCREW	5/16NC X 3/4	8
27-1	033829	ARMATURE	6.5KW 4 WIRE 60 HZ	1
27-2	033812	ARMATURE	8KW 4 WIRE 60 HZ	1
27-3	031082	ARMATURE	11KW 4 WIRE 60 HZ	1
28	031770	LOCKWASHER	7/16	4
29	031678	CAPSCREW	7/16NF X 3/4	4
30	013919	DOWEL	BACKPLATE TO HOUSING	2
31	031762	NUT	3/8NC	1
32	031764	LOCKWASHER	3/8	1
33	031608	CAPSCREW	3/8NC X 1-3/4	2
34	033311	DOWEL	BLOCK TO BACKPLATE	2
35	031765	WASHER	FLAT 3/8	1
36	031609	CAPSCREW	3/8NC X 2	1
37	033984	CAPSCREW	M12 X 1.5 X 55 DIN 960	1
38	031792	LOCKWASHER	M12 DIN 127	1
39	031793	WASHER	M12 DIN 125	1
40	033234	HOUSING	FLYWHEEL	1
41	031765	WASHER	FLAT 3/8	4
42	031764	LOCKWASHER	3/8	3
43	031762	NUT	3/8NC	2
44	031555	CAPSCREW	5/16NC X 1	4
45	031758	LOCKWASHER	5/16	4
46	031759	WASHER	FLAT 5/16	4

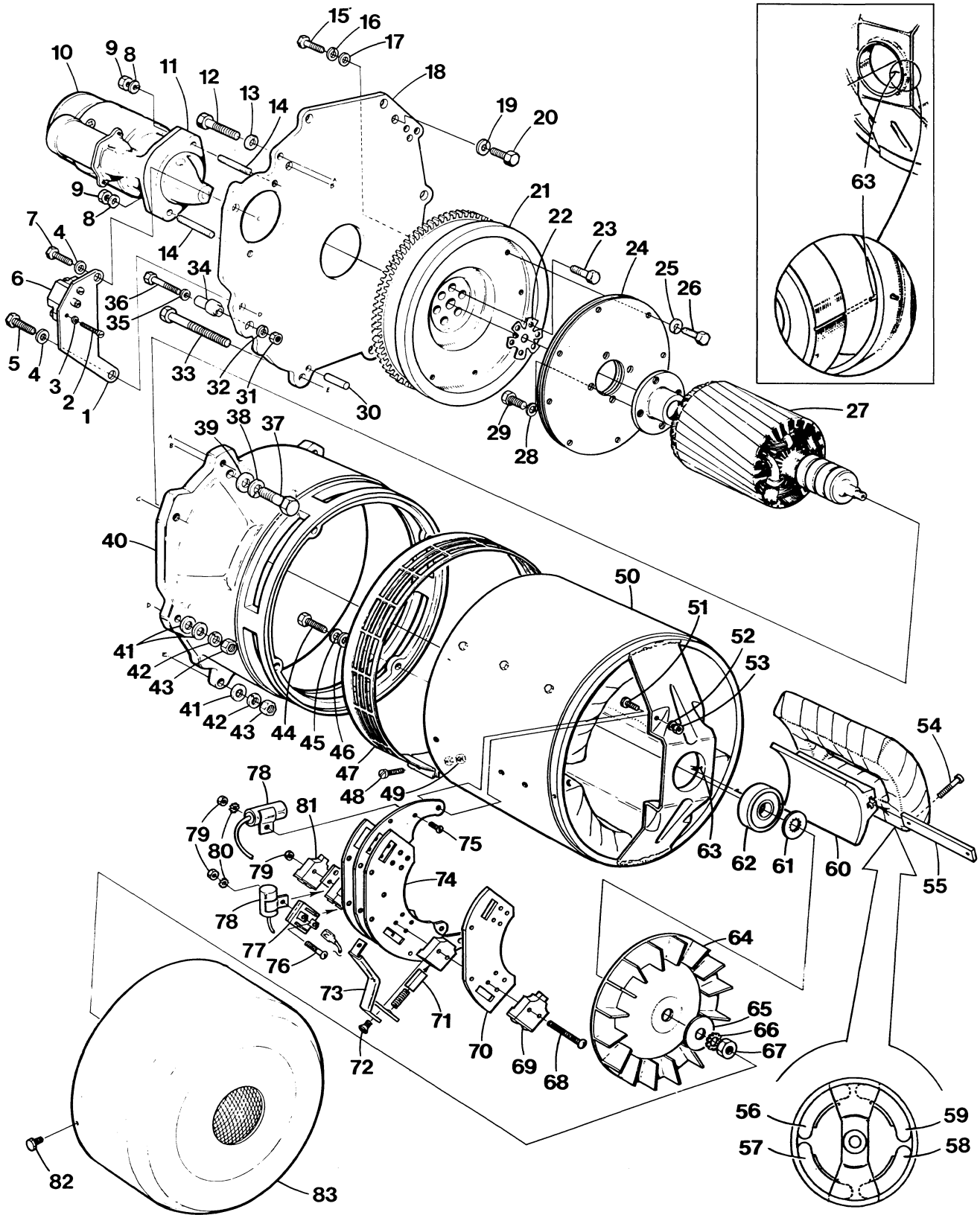
WESTERBEKE TWG-6.5-8-11KW GASOLINE GENERATOR - BACK END - GENERATOR



WESTERBEKE TWG-6.5-8-11KW GASOLINE GENERATOR - BACK END - GENERATOR

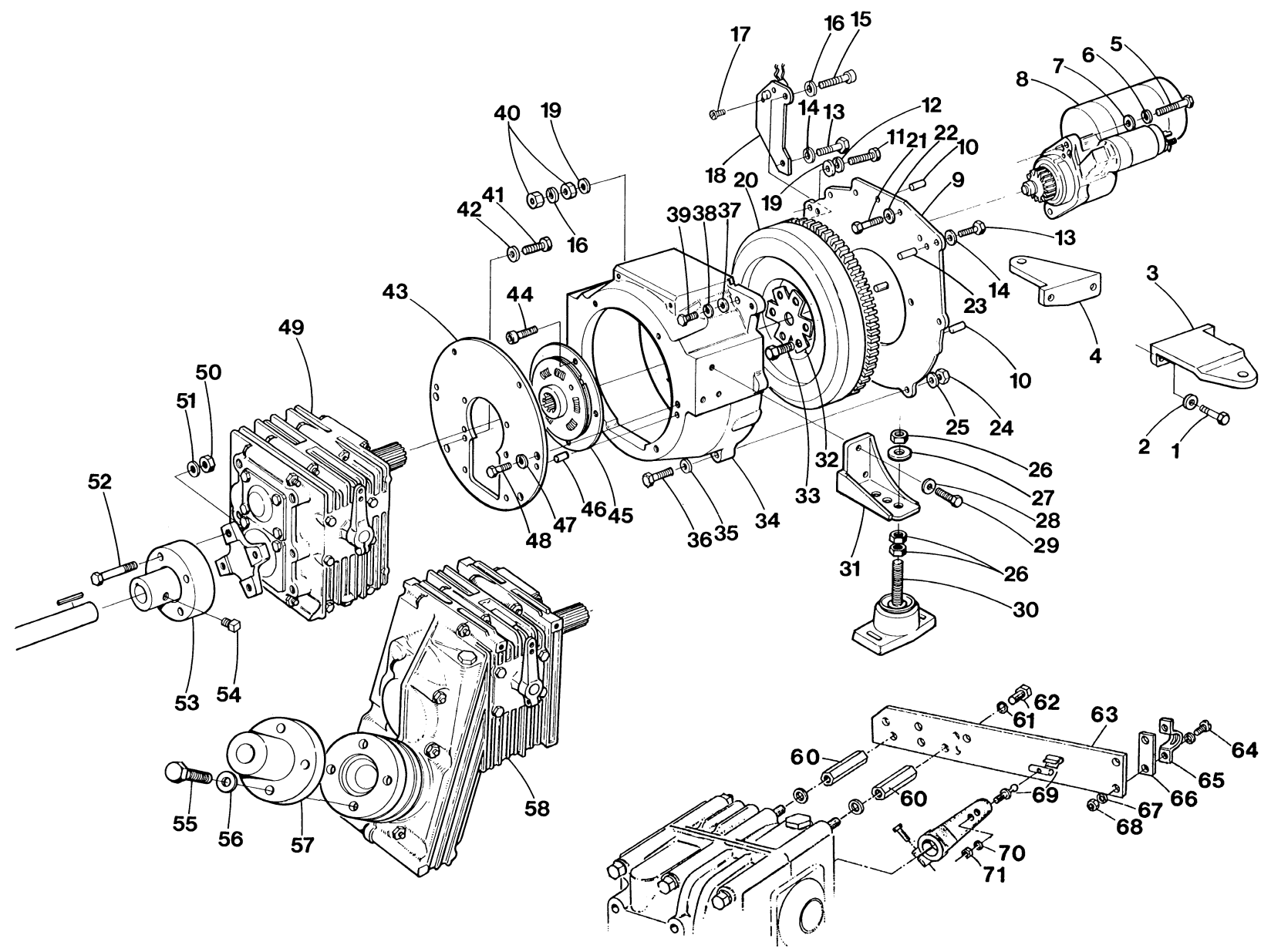
REF	PN	NAME	REMARKS	QUAN
47	024788	GUARD	AIR EXHAUST	1
48	031876	SCREW	10-32 X 1	1
49-1	031847	NUT	10-32	1
49-2	031849	LOCKWASHER	10	1
50-1	033289	GENERATOR	6.5KW 60HZ 4 WIRE 115 OR 115/230VAC	1
50-2	033396	GENERATOR	8KW 60HZ 4WIRE 115 OR 115/230VAC	1
50-3	030864	GENERATOR	11KW 60HZ 4WIRE 115 OR 115/230VAC	1
50-4	033834	HOUSING	FIELD COIL 6.5KW	1
50-5	031073	HOUSING	FIELD COIL 8KW	1
50-6	031074	HOUSING	FIELD COIL 11KW	1
51		SCREW	10-24 X 3/4	4
52	031850	LOCKWASHER	INTERNAL TOOTH 10	4
53		NUT	10-24	4
54-1	031607	CAPSCREW	3/8NC X 1-1/2 6.5-8KW	12
54-2	031607	CAPSCREW	3/8NC X 1-1/2 11KW	16
55-1	033828	RETAINER	POLE SHOE 6.5KW	4
55-2	033836	RETAINER	POLE SHOE 8KW	4
55-3	031067	RETAINER	POLE SHOE 11KW	4
56-1	033830	COIL	FIELD 6.5KW	1
56-2	033837	COIL	FIELD 8KW	1
56-3	030830	COIL	FIELD 11KW	1
57-1	033831	COIL	FIELD 6.5KW	1
57-2	033838	COIL	FIELD 8KW	1
57-3	030831	COIL	FIELD 11KW	1
58-1	033832	COIL	FIELD 6.5KW	1
58-2	033839	COIL	FIELD 8KW	1
58-3	030832	COIL	FIELD 11KW	1
59-1	033833	COIL	FIELD 6.5KW	1
59-2	033840	COIL	FIELD 8KW	1
59-3	030833	COIL	FIELD 11KW	1
60-1	033827	SHOE	POLE 6.5KW	4
60-2	033835	SHOE	POLE 8KW	4
60-3	030807	SHOE	POLE 11KW	4
61	030805	LOCKWASHER		1
62	030822	BEARING		1
63	030823	PIN	BEARING LOCK	1
64	030799	FAN		1
65	030798	WASHER	FLAT 1/2	1
66		LOCKWASHER	EXTERNAL TOOTH 1/2	1
67	030841	NUT	1/2NF JAM LOCKING	1
68-1		SCREW	8-32 X 3 RH 6.5-8KW	4
68-2		SCREW	8-32 X 3 RH 11KW	8
69-1	030801	HOLDER	BRUSH 6.5-8KW	8
69-2	030801	HOLDER	BRUSH 11KW	16
70-1	031068	SPACER	BRUSH HOLDER 6.5-8KW	1
70-2	031068	SPACER	BRUSH HOLDER 11KW	2
71-1	030804	BRUSH	6.5-8KW	8
71-2	030804	BRUSH	11KW	16

WESTERBEKE TWG-6.5-8-11KW GASOLINE GENERATOR - BACK END - GENERATOR



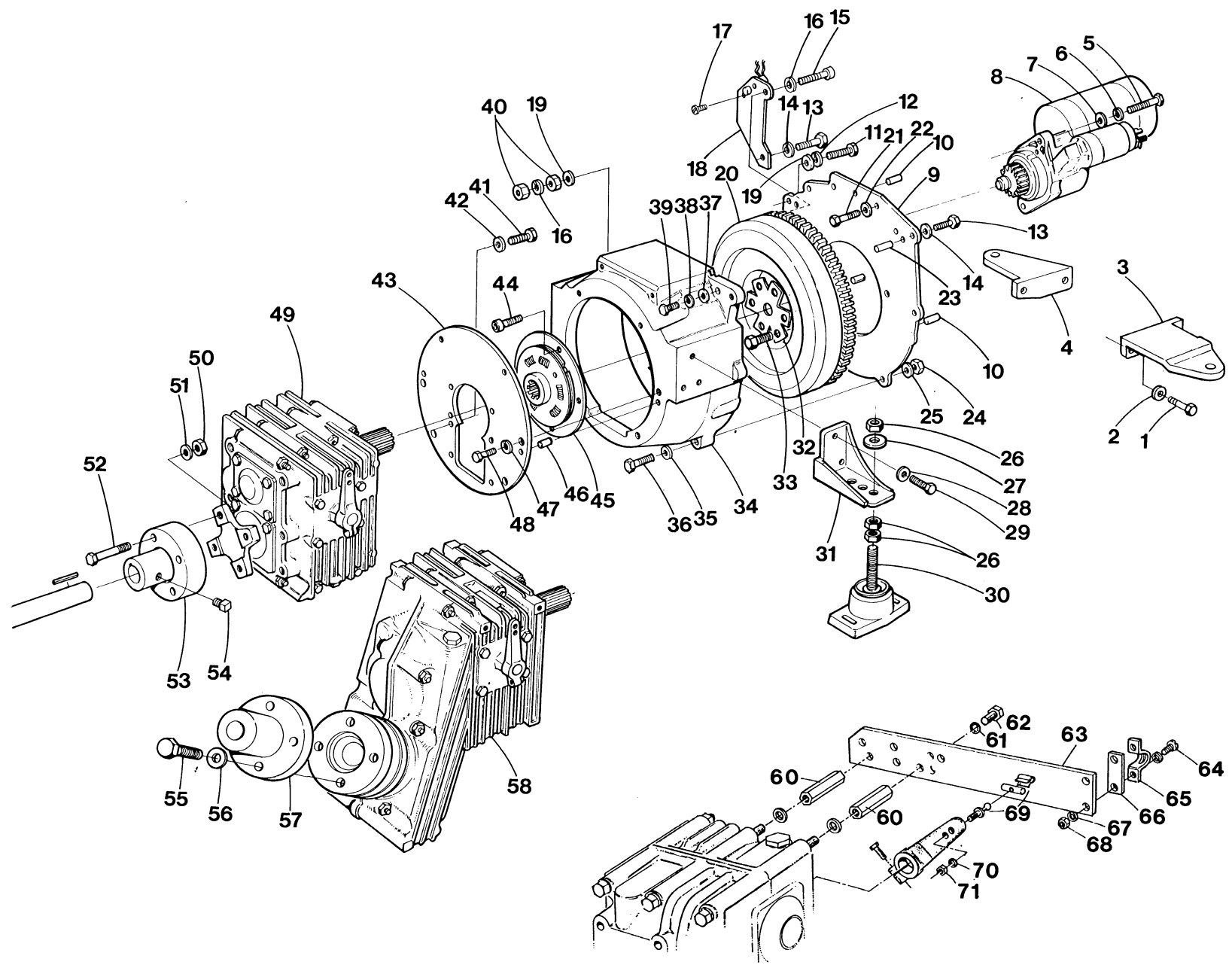
WESTERBEKE TWG-6.5-8-11KW GASOLINE GENERATOR - BACK END - GENERATOR

REF	PN	NAME	REMARKS	QUAN
72-1		SCREW	8-32 X 5/16 6.5-8KW	16
72-2		SCREW	8-32 X 5/16 11KW	32
73-1	031065	STRAP	COPPER 6.5-8KW	4
73-2	031066	STRAP	COPPER 11KW	8
74-1	031072	PLATE	BRUSH MOUNTING 6.5-8KW	3
74-2	031069	PLATE	BRUSH MOUNTING 11KW	6
75-1		SCREW	8-32 X 1/4 6.5-8KW	1
75-2		SCREW	8-32 X 5/8 11KW	1
76		SCREW	8-32 X 1-1/4	1
77	030809	RECTIFIER		1
78	030806	CAPACITOR		2
79	031842	NUT	8-32	3
80	031846	LOCKWASHER	EXTERNAL TOOTH 8	2
81-1	031063	SPACER	FIBRE 6.5-8KW	10
81-2	031063	SPACER	FIBRE 11KW	20
82		SCREW	10-28 X 3/8 HEX HEAD THREAD CUTTING	2
83	030803	COVER		1



WESTERBEKE 41G-70G MARINE GASOLINE ENGINE - BACK END - MOUNTING SYSTEM

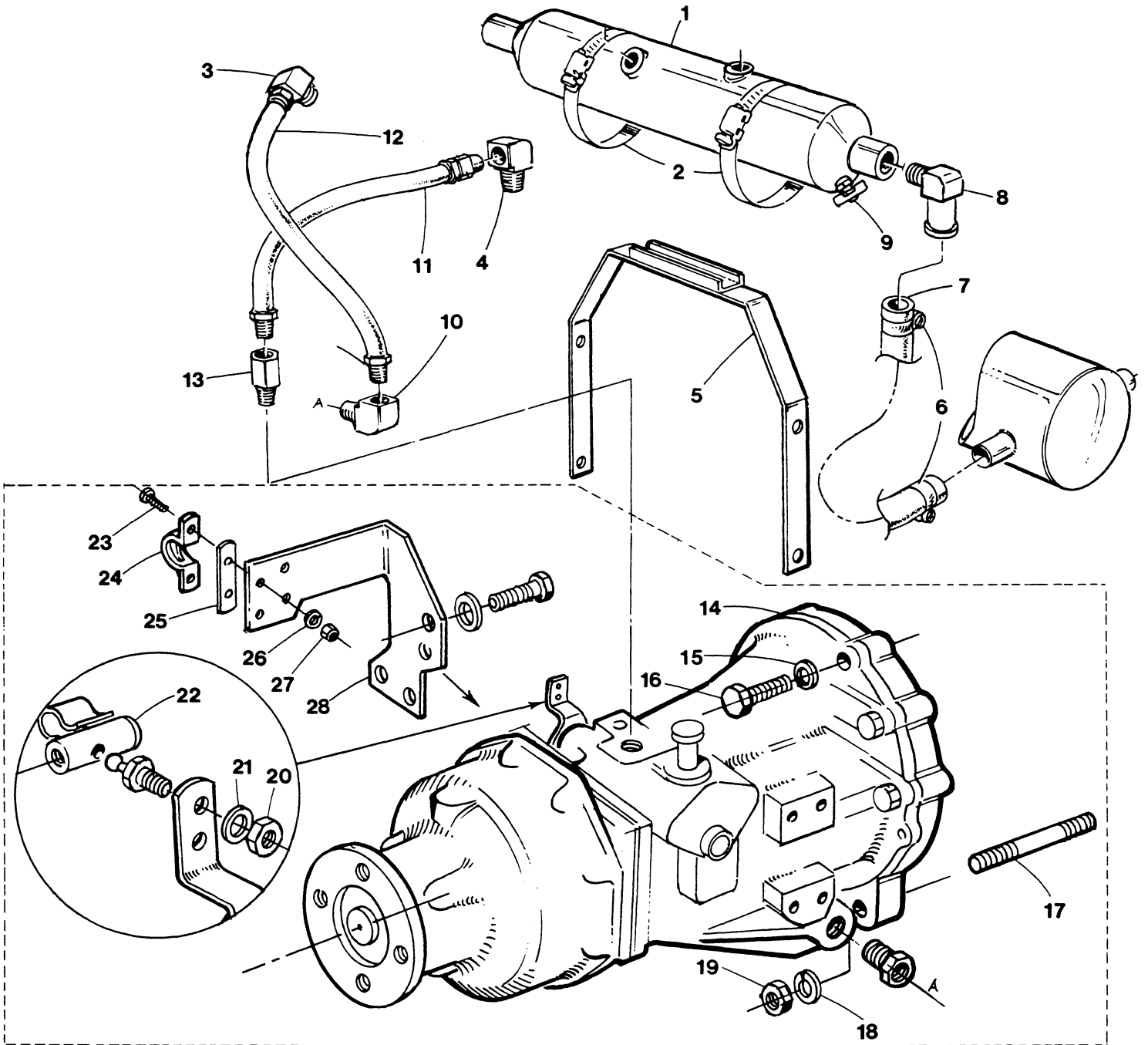
REF	PN	NAME	REMARKS	QUAN
1	031228	CAPSCREW	M10 X 1.25 X 30 DIN 961	4
2	019262	LOCKWASHER	M10 DIN 127	4
3	034770	MOUNT	FRONT RIGHT	1
4	034768	MOUNT	FRONT LEFT	1
5	034589	CAPSCREW	M10 X 30 DIN 933	2
6	019262	LOCKWASHER	M10 DIN 127	2
7	031789	WASHER	M10 DIN 125	2
8	034552	MOTOR	STARTER 12 VDC	1
9	034624	PLATE	BACK	1
10	033311	DOWEL	BLOCK TO BACKPLATE	2
11	013631	CAPSCREW	M10 X 55 DIN 933	2
12	019262	LOCKWASHER	M10 DIN 127	2
13	034589	CAPSCREW	M10 X 30 DIN 933	4
14	019262	LOCKWASHER	M10 DIN 127	4
15	034833	CAPSCREW	M10 X 60 DIN 912 FULLY THREADED	1
16	019262	LOCKWASHER	M10 DIN 127	2
17	031875	SCREW	10-32 X 7/8	2
18	033602	BRACKET	CIRCUIT BREAKER	1
19	031789	WASHER	M10 DIN 125	3
20-1	034648	FLYWHEEL	BALANCED WITH RING GEAR	1
20-2	032996	GEAR	RING	1
21	033347	CAPSCREW	M12 X 1.5 X 25 DIN 961	2
22	031792	LOCKWASHER	M12 DIN 127	2
23	013919	DOWEL	BACKPLATE TO HOUSING	2
24	015887	NUT	M10 DIN 934	2
25	019262	LOCKWASHER	M10 DIN 127	2
26	031826	NUT	5/8NF JAM	12
27	031827	LOCKWASHER	5/8	4
28	019262	LOCKWASHER	M10 DIN 127	6
29	013629	CAPSCREW	M10 X 25 DIN 933	6
30	032013	ISOLATOR		4
31	033890	MOUNT	REAR	2
32	033863	TABWASHER	FLYWHEEL	1
33	033715	CAPSCREW	M12 X 1.5 X 35 DIN 961	6
34	034682	HOUSING	FLYWHEEL	1
35	031789	WASHER	M10 DIN 125	2
36	034470	CAPSCREW	M10 X 45 DIN 931	2
37	031793	WASHER	M12 DIN 125	1
38	031792	LOCKWASHER	M12 DIN 127	2
39	033984	CAPSCREW	M12 X 1.25 X 55 DIN 960	1
40	015887	NUT	M10 DIN 934	2
41-1	020650	CAPSCREW	M 8 X 18 DIN 933 HBW TRANSMISSION	6
41-2	034590	CAPSCREW	M10 X 40 DIN 933 HBW V-DRIVE	6
42-1	031786	LOCKWASHER	M 8 DIN 127 HBW TRANSMISSION	6
42-2	031790	LOCKWASHER	M10 DIN 137B HBW V-DRIVE	6
43-1	031267	ADAPTER	HBW TRANSMISSION	1
43-2	030063	ADAPTER	HBW V-DRIVE	1
44	024778	CAPSCREW	DAMPER TO FLYWHEEL	5
45-1	019398	DAMPER	HBW TRANSMISSION	1
45-2	030789	DAMPER	S1500 TRANSMISSION	1
45-3	011618	DAMPER	WARNER HYDRAULIC TRANSMISSION	1



WESTERBEKE 41G-70G MARINE GASOLINE ENGINE - BACK END - MOUNTING SYSTEM

REF	PN	NAME	REMARKS	QUAN
46	019039	DOWEL	ADAPTER TO HOUSING	2
47	019262	LOCKWASHER	M10 DIN 127	6
48	013629	CAPSCREW	M10 X 25 DIN 933	6
49-1	030140	HBW GEAR	MODEL 100 1.5:1 W41G	1
49-2	024630	HBW GEAR	MODEL 100 1.8:1 W41G	1
49-3	031248	HBW GEAR	MODEL 150 1.6:1 W70G	1
49-4	024631	HBW GEAR	MODEL 150 1.9:1 W70G	1
49-5	030049	HBW GEAR	MODEL 150 2.6:1	1
50	024950	NUT	M10 X 1.25 DIN 934	4
51	019262	LOCKWASHER	M10 DIN 127	4
52	031228	CAPSCREW	M10 X 1.25 X 30 DIN 961	4
53-1	023679	COUPLING	HBW-S1500 BORE 0.75IN	1
53-2	023680	COUPLING	HBW-S1500 BORE 0.875IN	1
53-3	023681	COUPLING	HBW-S1500 BORE 1.0IN	1
53-4	023682	COUPLING	HBW-S1500 BORE 1.125IN	1
53-5	023683	COUPLING	HBW-S1500 BORE 1.25IN	1
53-6	023684	COUPLING	HBW-S1500 BORE 1.375IN	1
53-7	023685	COUPLING	HBW-S1500 BORE 1.5IN	1
54-1	023450	SETSCREW	COUPLING 7/16NC X 1	2
54-2	023651	SETSCREW	COUPLING 3/8NC X 3/4	2
54-3	023652	SETSCREW	COUPLING 3/8NC X 1	2
55	013629	CAPSCREW	M10 X 25 DIN 933	4
56	019262	LOCKWASHER	M10 DIN 127	4
57-1	023706	COUPLING	HBW V-DRIVE BORE 0.75IN	1
57-2	023707	COUPLING	HBW V-DRIVE BORE 0.875IN	1
57-3	023708	COUPLING	HBW V-DRIVE BORE 1.0IN	1
57-4	023709	COUPLING	HBW V-DRIVE BORE 1.125IN	1
57-5	023710	COUPLING	HBW V-DRIVE BORE 1.25IN	1
57-6	023711	COUPLING	HBW V-DRIVE BORE 1.375IN	1
57-7	023712	COUPLING	HBW V-DRIVE BORE 1.5IN	1
58-1	031249	HBW GEAR	V-DRIVE 1.8:1	1
58-2	030048	HBW GEAR	V-DRIVE 2.1:1	1
58-3	031250	HBW GEAR	V-DRIVE 3.0:1	1
59	035816	GEAR	S1500 1:1 TRANSMISSION	1
60	030716	NUT	PILLAR M 8	2
61	031786	LOCKWASHER	M 8 DIN 127	2
62	031630	CAPSCREW	M 8 X 25 DIN 933	2
63-1	032161	BRACKET	HBW SHIFT CABLE-REAR ENTRY	1
63-2	030181	BRACKET	HBW SHIFT CABLE-TOP ENTRY	1
64	031873	SCREW	10-32 X 5/8	2
65	013325	CLAMP	CABLE	1
66	013870	SHIM	CABLE CLAMP	1
67	031849	LOCKWASHER	10	2
68	031847	NUT	10-32	2
69	033482	BALL JOINT		1
70	031752	LOCKWASHER	1/4	1
71	031754	NUT	1/4NF	1
72	034544	COOLER	HBW	1
73	017196	CAPSCREW	M 8 X 20 DIN 933	4
74	031786	LOCKWASHER	M 8 DIN 127	4
75	030183	ELBOW	COOLER TO HOSE	1

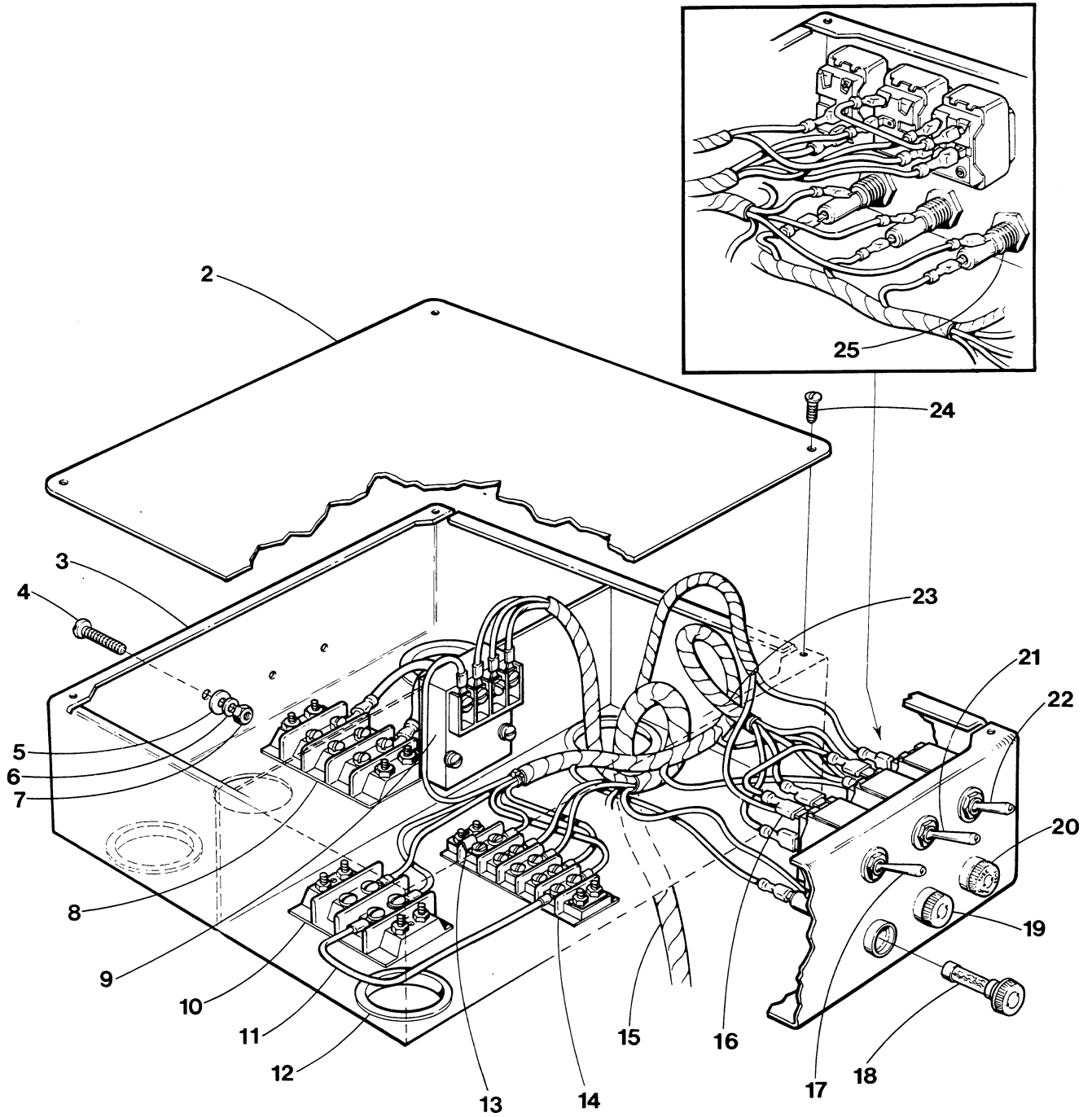
WESTERBEKE 41G - 70G MARINE GASOLINE ENGINE - WARNER TRANSMISSION



WESTERBEKE 41G - 70G MARINE GASOLINE ENGINE - WARNER TRANSMISSION

REF	PN	NAME	REMARKS	QUAN
1	034415	COOLER	OIL	1
2	011411	CLAMP	HOSE-MOUNT COOLER TO BRACKET	2
3	013330	ELBOW	COOLER TO HOSE	1
4	013338	ELBOW	3/8NPT BRASS STREET	1
5	013057	BRACKET	COOLER MOUNT TO TRANSMISSION	1
6	011341	CLAMP	HOSE	2
7	030166	HOSE	EXCHANGER TO COOLER	1
8	030183	ELBOW	1/2NPT TO 7/8ID HOSE	2
9	011471	PETCOCK		1
10	013330	ELBOW	HOSE TO WARNER TRANSMISSION	1
11	011921	HOSE	OIL	1
12-1	022114	HOSE	OIL WARNER DIRECT DRIVE	1
12-2	023567	HOSE	OIL WARNER REDUCTION	1
13	013348	CONNECTOR	HOSE TO TRANSMISSION	1
14-1	011630	GEAR	WARNER HYDRAULIC DIRECT DRIVE	1
14-2	011631	GEAR	WARNER HYDRAULIC 1.5:1	1
14-3	011635	GEAR	WARNER HYDRAULIC 1.9:1 OPP ROTATION	1
14-4	011632	GEAR	WARNER HYDRAULIC 2:1	1
14-5	011633	GEAR	WARNER HYDRAULIC 2.5:1	1
14-6	011634	GEAR	WARNER HYDRAULIC 3:1	1
15	019262	LOCKWASHER	M10 DIN 127	4
16	035003	CAPSCREW	M10 X 80 DIN 931	4
17	035004	STUD	M10 X 70 DIN 939	2
18	019262	LOCKWASHER	M10 DIN 127	2
19	015887	NUT	M10 DIN 934	2
20	031754	NUT	1/4NF	1
21	031752	LOCKWASHER	1/4	1
22	033482	BALL JOINT		1
23	031873	SCREW	10-32 X 5/8	2
24	013325	CLAMP	CABLE	1
25	013870	SHIM	CABLE CLAMP	1
26	031849	LOCKWASHER	10	2
27	031847	NUT	10-32	2
28	032315	BRACKET	CABLE	1
29	031655	CAPSCREW	7/16NC X 1 (COOLER BRACKET TO GEAR)	4
30	031770	LOCKWASHER	7/16	4
31	032230	NIPPLE	1/2NPT TO 7/8 HOSE	2

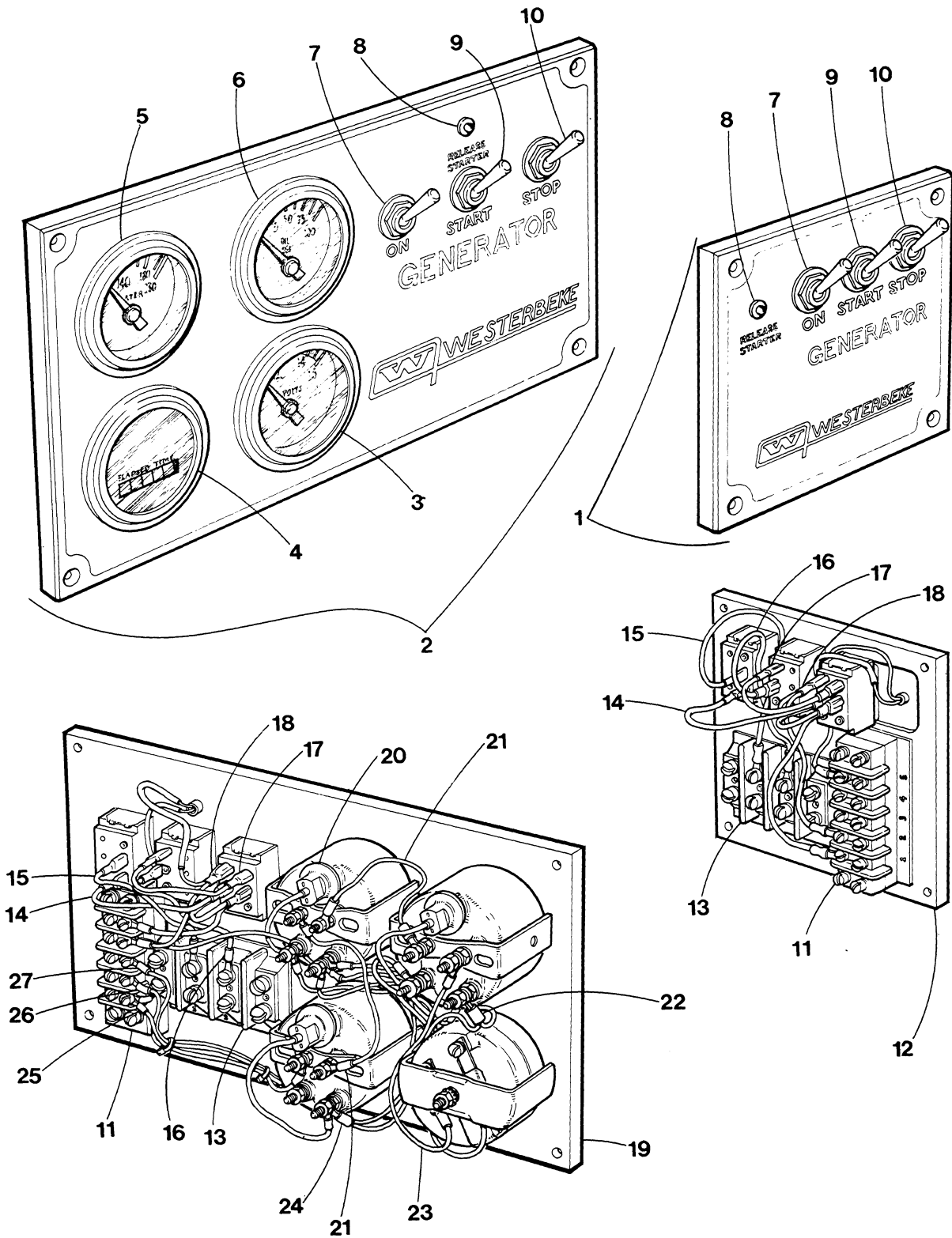
WESTERBEKE TWG-6.5-8-11KW GASOLINE GENERATOR - CONTROL PANEL



WESTERBEKE TWG-6.5-8-11KW GASOLINE GENERATOR - CONTROL PANEL

REF	PN	NAME	REMARKS	QUAN
1	033780	PANEL	GENERATOR CONTROL WITH ENGINE HARNESS	1
2	033689	COVER	PANEL	1
3	033688	BOX	PANEL	1
4	032500	SCREW	GROUND CONNECTION 1/4NC X 1-1/4 BRASS	1
5	032499	WASHER	FLAT 1/4 BRASS	2
6	032493	LOCKWASHER	1/4 BRONZE INTERNAL TOOTH	2
7	032498	NUT	1/4NC BRASS	2
8-1	016695	BLOCK	TERMINAL	1
8-2	016696	MARKER	TERMINAL BLOCK	1
8-3	013856	PLATE	SCREW	2
8-4	031866	SCREW	8-32 X 7/8	4
8-5	031844	LOCKWASHER	8	4
8-6	031842	NUT	8-32	4
9-1	033628	SHUTDOWN	OVERSPEED 60HZ	1
9-2	031892	SCREW	4-40 X 1	2
9-3	031894	WASHER	FLAT 4	4
9-4	031895	LOCKWASHER	10	2
9-5	031893	NUT	4-40	2
10-1	012975	BLOCK	TERMINAL	1
10-2	013364	MARKER	TERMINAL BLOCK	1
10-3	013856	PLATE	SCREW	2
10-4	031866	SCREW	8-32 X 7/8	4
10-5	031844	LOCKWASHER	8	4
10-6	031842	NUT	8-32	4
11	033913	WIRE	RED-PURPLE	1
12	023939	BUSHING	NYLON SNAP	4
13	015223	JUMPER	TERMINAL BLOCK GROUND	1
14-1	019121	BLOCK	TERMINAL	1
14-2	019122	MARKER	TERMINAL BLOCK	1
14-3	015222	PLATE	SCREW	2
14-4	031855	SCREW	6-32 X 5/8	4
14-5	031839	LOCKWASHER	6	4
14-6	031837	NUT	6-32	4
15	033756	HARNESS	ENGINE	1
16	033912	WIRE	YELLOW-RED	1
17	033633	SWITCH	ON - BLACK HANDLE	1
18	033769	FUSE	8 AMP	1
19	011468	FUSE	15 AMP	1
20-1	033768	FUSE	4 AMP TO SEPT 1986	1
20-2	033769	FUSE	8 AMP FROM SEPT 1986	1
21	033632	SWITCH	START - WHITE HANDLE	1
22	033631	SWITCH	STOP - RED HANDLE	1
23	033755	HARNESS	PANEL-INTERNAL	1
24	031891	SCREW	8-32 X 3/8 TRUSS HEAD	4
25	033767	HOLDER	FUSE	3
26	031999	RING	SWITCH POSITIONING	3
27	033882	LABEL	AC OUTPUT CONNECTION WIRING	1
28	033514	DECAL	GENERATOR OPERATION INSTRUCTIONS	1
29	033695	LABEL	TOGGLE SWITCH IDENTIFICATION	1
30	033696	LABEL	FUSE IDENTIFICATION	1
31	033748	LABEL	GASOLINE VAPOR WARNING	1

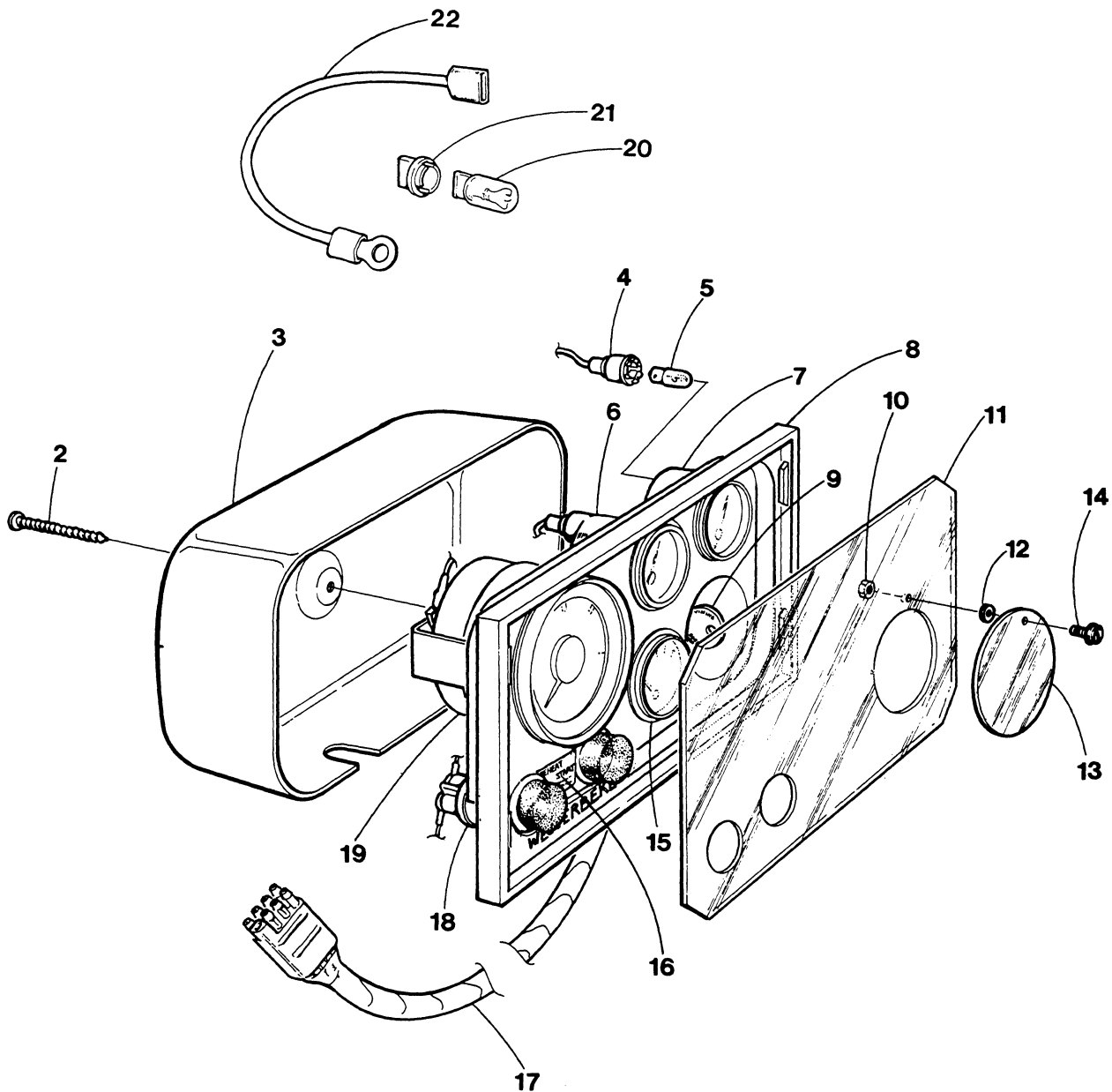
WESTERBEKE TWG-6.5-8-11KW GASOLINE GENERATOR - REMOTE CONTROL PANELS



WESTERBEKE TWG-6.5-8-11KW GASOLINE GENERATOR - REMOTE CONTROL PANELS

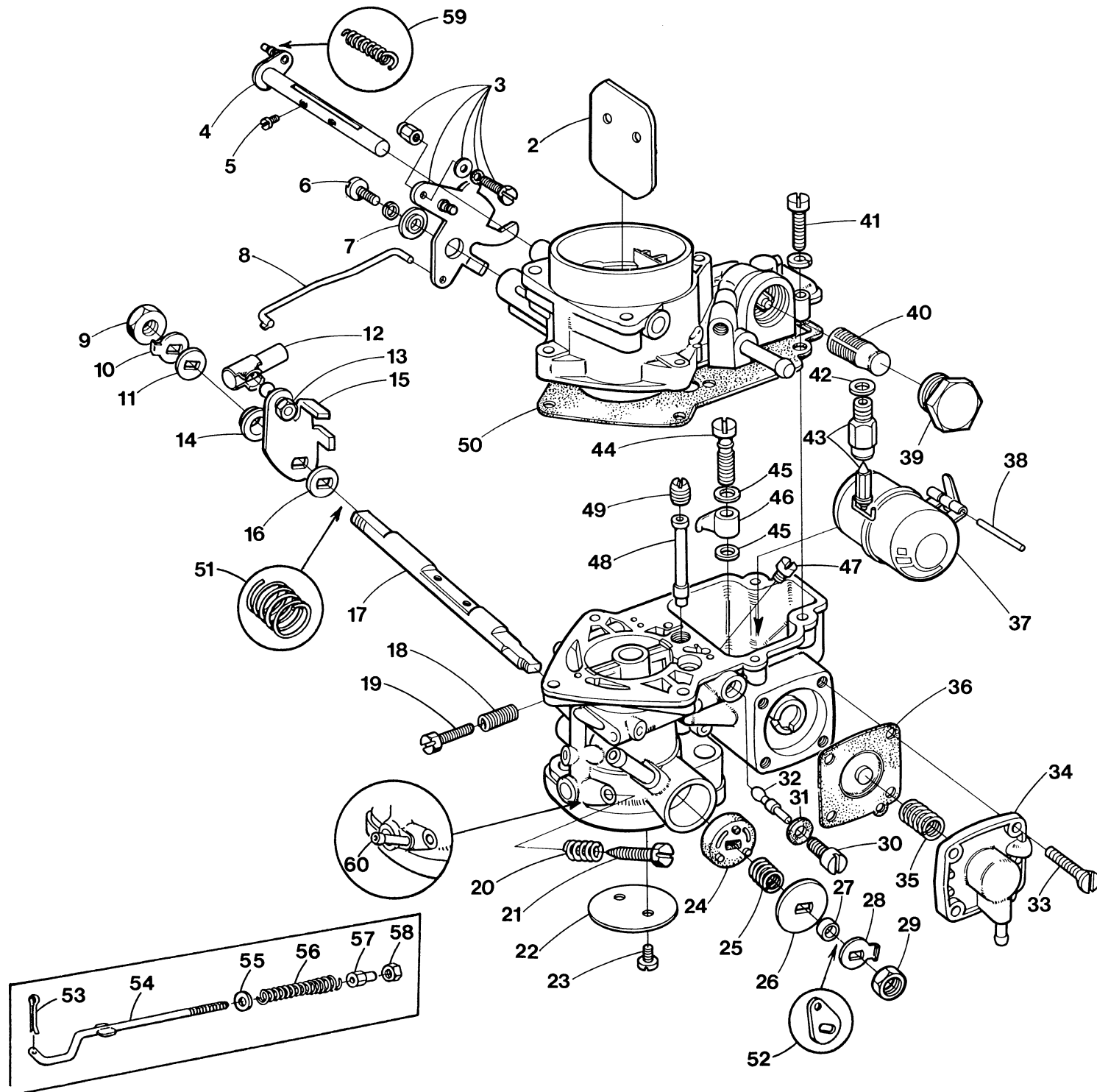
REF	PN	NAME	REMARKS	QUAN
1	033703	PANEL	REMOTE START-STOP	1
2	033702	PANEL	REMOTE INSTRUMENT	1
3	035111	VOLTMETER	12 VDC	1
4-1	012892	METER	HOUR TO SEPT 1986	1
4-2	036192	METER	HOUR FROM SEPT 1986	1
5	035108	METER	WATER TEMPERATURE	1
6	035110	METER	OIL PRESSURE 0-100 PSI	1
7	033633	SWITCH	ON - BLACK HANDLE	1
8-1	032975	LED		1
8-2	013723	RESISTOR		1
8-3	013724	DIODE		1
9	033632	SWITCH	START - WHITE HANDLE	1
10	033631	SWITCH	STOP - RED HANDLE	1
11-1	019121	BLOCK	TERMINAL	1
11-2	019122	MARKER	TERMINAL BLOCK	1
11-3	033868	SPACER		1
11-4	031867	SCREW	8-32 X 1	4
11-5	031844	LOCKWASHER	8	4
11-6	031843	WASHER	FLAT 8	4
12	033917	PLATE	REMOTE PANEL 33703	1
13-1	012975	BLOCK	TERMINAL	1
13-2	013364	MARKER	TERMINAL BLOCK	1
13-3	013856	PLATE	SCREW	2
13-4	031865	SCREW	8-32 X 3/4	4
13-5	031844	LOCKWASHER	8	4
14	034215	WIRE	RED-PURPLE	1
15	034214	WIRE	RED-PURPLE	1
16	034216	WIRE	YELLOW-RED	1
17	033912	WIRE	YELLOW-RED	1
18	034217	WIRE	PURPLE	1
19	033916	PLATE	REMOTE INSTRUMENT PANEL 33702	1
20-1	024947	LAMP	INSTRUMENT-BAYONET BASE	3
20-2	024946	HOLDER	LAMP-BAYONET BASE	3
20-3	035114	LAMP	INSTRUMENT-WEDGE BASE	3
20-4	035118	HOLDER	LAMP-WEDGE BASE	3
20-5	035825	WIRE	LAMP POWER CONNECTION	3
21	034223	WIRE	BLACK	2
22	034221	WIRE	PURPLE	1
23	034222	WIRE	BLACK	1
24	034220	WIRE	PURPLE	1
25	034224	WIRE	BLACK	1
26	034219	WIRE	TAN	1
27	034218	WIRE	BLUE	1
28	031999	RING	SWITCH POSITIONING	3
29-1	035698	DIAGRAM	WIRING PANEL 33702	1
29-2	035706	DIAGRAM	WIRING PANEL 33703	1

WESTERBEKE 41G - 70G MARINE GASOLINE ENGINE - INSTRUMENT PANEL



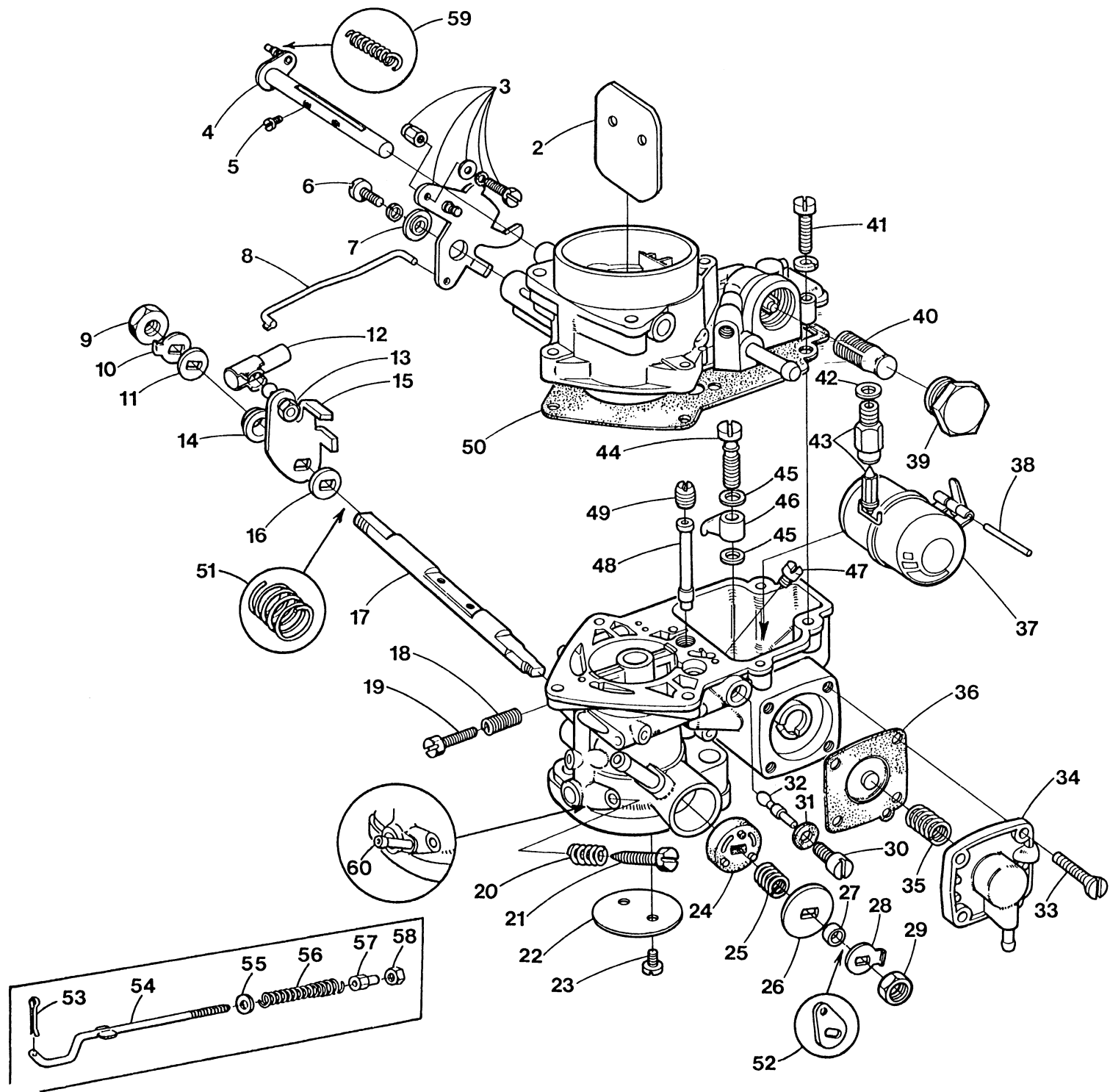
WESTERBEKE 41G - 70G MARINE GASOLINE ENGINE - INSTRUMENT PANEL

REF	PN	NAME	REMARKS	QUAN
1	035400	PANEL	INSTRUMENT-ASSEMBLY	1
2	030913	SCREW		1
3	030119	COVER	PANEL REAR	1
4	024946	HOLDER	LAMP-BAYONET BASE	4
5	024947	LAMP	INSTRUMENT-BAYONET BASE	4
6	035108	METER	WATER TEMPERATURE	1
7	011544	METER	OIL PRESSURE 0-80 PSI	1
8	035738	PANEL	PLATE	1
9	033693	SWITCH	KEY OFF-ON	1
10	030003	NUT	NYLON LOCKING 6-32	1
11	036034	COVER	FACEPLATE	1
12	030002	SPACER	NYLON	1
13	024996	WINDOW	KEYSWITCH COVER	1
14	030001	SCREW	NYLON 6-32 X 1/2 WASHER HEAD	1
15	035111	VOLTMETER	12 VDC	1
16	033682	DECAL	SWITCH IDENTIFICATION	1
17	030148	CABLE	PANEL TO ENGINE	1
18-1	033764	SWITCH	PUSH BUTTON START	1
18-2	019031	CAP	SWITCH COVER REPLACEMENT	1
19	011917	METER	TACHOMETER-HOUR	1
20	035114	LAMP	INSTRUMENT-WEDGE BASE	2
21	035118	HOLDER	LAMP-WEDGE BASE	2
22	035825	WIRE	POWER TO LAMPS	2
23	024999	DRAWING	TEMPLATE TO INSTALL PANEL	1



WESTERBEKE 4 CYLINDER GASOLINE ENGINE - CARBURETOR

REF	PN	NAME	REMARKS	QUAN
1-1	033751	CARBURETOR	ASSEMBLY INCL CHOKE TWG-6.5-8-11KW	1
1-2	035777	CARBURETOR	ASSEMBLY INCLUDING CHOKE W41G-70G	1
2	036296	PLATE	CHOKE	1
3	036279	LEVER	CHOKE CONTROL ASSEMBLY	1
4	036264	SHAFT	CHOKE PLATE	1
5	036300	SCREW	CHOKE PLATE TO SHAFT	2
6	036304	SCREW		1
7	036267	BUSHING		1
8	036293	ROD	ELECTRIC CHOKE TO CONTROL LEVER	1
9	036269	NUT		1
10	036286	TABWASHER		1
11	036289	SPACER		1
12	019364	BALL JOINT		1
13-1	031847	NUT	10-32	1
13-2	031849	LOCKWASHER	10	1
14	036266	BUSHING		1
15-1	033700	LEVER	TWG-6.5-8-11KW	1
15-2	036319	LEVER	W41G-70G	1
16	036291	SPACER		1
17	036263	SHAFT	THROTTLE PLATE	1
18	036280	SPRING		1
19	036301	SCREW	IDLE SET	1
20	036280	SPRING		1
21	036305	SCREW	IDLE MIXTURE	1
22	036295	PLATE	THROTTLE	1
23	036299	SCREW	THROTTLE PLATE	2
24	036283	VALVE	ROTARY	1
25	036281	SPRING		1
26	036290	WASHER	SPACER	1
27	036265	SPACER		1
28	036287	TABWASHER		1
29	036268	NUT		1
30	036285	RETAINER	IDLE JET	1
31	036277	GASKET		1
32	036272	JET	IDLE	1
33-1	033981	SCREW	PUMP COVER TWG-6.5-8-11KW	4
33-2	036317	SCREW	PUMP COVER W41G-70G	2
33-3	036318	SCREW	PUMP COVER W41G-70G	2
34-1	033979	COVER	PUMP TWG-6.5-8-11KW	1
34-2	036314	COVER	PUMP W41G-70G	1
35-1	033980	SPRING	PUMP TWG-6.5-8-11KW	1
35-2	036316	SPRING	PUMP W41G-70G	1
36-1	033977	DIAPHRAGM	TWG-6.5-8-11KW	1
36-2	036315	DIAPHRAGM	W41G-70G	1



WESTERBEKE 4 CYLINDER GASOLINE ENGINE - CARBURETOR

REF	PN	NAME	REMARKS	QUAN
37	036271	FLOAT		1
38	036284	PIN		1
39	036292	PLUG	FILTER INSPECTION	1
40	036270	ELEMENT	FILTER	1
41	036302	SCREW	COVER	5
42	036276	GASKET		1
43	036297	VALVE	NEEDLE INCLUDING SEAT	1
44	036298	VALVE	ACCELERATOR PUMP	1
45	036275	GASKET		2
46	036273	JET	ACCELERATOR PUMP	1
47-1	036158	JET	MAIN-155 TWG-6.5-8-11KW	1
47-2	036320	JET	MAIN-135 W41G-70G	1
48	036294	TUBE	EMULSION	1
49	036274	JET	MAIN AIR BLEED	1
50	036278	GASKET		1
51	036311	SPRING	W41G-70G	1
52	036309	LEVER	PUMP CONTROL W41G-70G	1
53	036307	PIN	COTTER W41G-70G	2
54	036313	ROD	TIE W41G-70G	1
55	036312	WASHER	W41G-70G	1
56	036310	SPRING	W41G-70G	1
57	036306	BUSHING	W41G-70G	1
58	036308	NUT	W41G-70G	1
59	036282	SPRING	W41G-70G	1
60	033615	SPUD	W41G-70G	1
61	033612	BRACKET	CHOKE MOUNTING UPPER	1
62	033613	BRACKET	CHOKE MOUNTING LOWER	1
63	033616	CONNECTOR	CHOKE HOSE	1

WESTERBEKE 4 CYLINDER GASOLINE ENGINE - MISCELLANEOUS

REF	PN	NAME	REMARKS	QUAN
1	033803	KIT A	SPARE PARTS	1
2-1	033804	KIT B	EXTENDED CRUISING W41G,TWG-6.5-8KW	1
2-2	034570	KIT B	EXTENDED CRUISING W70G,TWG-11KW	1
3-1	033801	GASKET SET	UPPER W41G,TWG-6.5-8KW	1
3-2	034568	GASKET SET	UPPER W70G,TWG-11KW	1
4-1	033802	GASKET SET	COMPLETE W41G,TWG-6.5-8KW	1
4-2	034569	GASKET SET	COMPLETE W70G,TWG-11KW	1
5	024177	KIT	REMOTE FRESH WATER SURGE TANK	1
6	013758	PAINT	RED AEROSOL SPRAY CAN	1
7	032149	KIT	REMOTE LUBE OIL FILTER	1
8	020654	SPLITTER	ALTERNATOR OUTPUT	1
9	033882	LABEL	AC OUTPUT CONNECTIONS	1
10	034630	PARTSLIST		1
11	034645	MANUAL	TECHNICAL	1
12	033974	MANUAL	OPERATOR TWG-6.5-8-11KW	1
13-1	032008	SWITCH	SHIP-SHORE TWG-6.5-8KW 120/240VAC	1
13-2	032009	SWITCH	SHIP-SHORE TWG-6.5-8KW 120VAC	1
13-3	032009	SWITCH	SHIP-SHORE TWG-11KW 120/240VAC	1
13-4	032010	SWITCH	SHIP-SHORE TWG-11KW 120VAC	1
14	033702	PANEL	REMOTE INSTRUMENT TWG-6.5-8-11KW	1
15	033703	PANEL	REMOTE START-STOP TWG-6.5-8-11KW	1
16	035400	PANEL	INSTRUMENT W41G-70G	1
17-1	033772	MUFFLER	HYDRO-HUSH B	1
17-2	034936	MUFFLER	HYDRO-HUSH C (BOTTOM MOUNT)	1
17-3	035002	MUFFLER	HYDRO-HUSH C (SIDE MOUNT)	1
17-4	033340	CONNECTOR	HOSE-STRAIGHT	1
17-5	033341	CONNECTOR	HOSE 45 DEGREE	1
17-6	033342	CONNECTOR	HOSE 90 DEGREE	1
17-7	033943	KIT	HOSE COUPLING & CLAMPS	1
18	015010	STRAINER	SEA WATER	1
19	033327	VALVE	ANTI-SIPHON	1
20-1	033680	DIAGRAM	WIRING TWG-6.5-8-11KW	1
20-2	034856	DIAGRAM	WIRING W41G-70G	1